



MARINE

ILLUSTRATED

PARTS MANUAL

MODEL MP8.1L

SN 670001 thru 67xxxx

This Page Was
Intentially
Left Blank

Contents:

Symbols 2

Maintenance Item Part Numbers 3

Cylinder Block Assembly - Figure 1 4

Cylinder Head Assembly - Figure 2 8

Intake Manifold Assembly - Figure 3 10

Oil Pan and Oil Pump Assembly - Figure 4 12

Throttle Body and Related Components - Figure 5 14

Model 07-811V-01 Throttle Body and Related Components - Figure 6 16

Remote Oil Filter Components - Figure 7 18

Model 07-811V-01 Remote Oil Filter Components - Figure 8 20

Fuel Control Cell (FCC) Components SN 670001 through 671343 - Figure 9 22

Fuel Control Cell (FCC) Components SN 671344 and Above - Figure 10 24

Returnless Fuel System Components SN 670001 through 671343 - Figure 11 26

Returnless Fuel System Components SN 671344 and Above - Figure 12 30

Optional Fuel / Water Separator Components - Figure 13 32

Heat Exchanger and Components - Figure 14 34

Fresh Water Cooling System Components - Figure 15 36

Exhaust Manifold and Components - Figure 16 40

Raw Water Cooling Pump - Figure 17 42

Wiring Harness Assemblies and Senders - Figure 18 44

ECM and Relays - Figure 19 46

Model 07-811V-01 ECM and Relays - Figure 20 48

Accessory Drive System Components - Figure 21 50

Starter Assembly Components - Figure 22 52

Engine and Transmission Mounts - Figure 23 54

Model 07-811V-01, Engine and Transmission Mounts - Figure 24 56

Bellhousing Assembly - Figure 25 58

Transmission and Related Parts (Velvet Drive In-Line) - Figure 26 60

Transmission and Related Parts (Velvet Drive "V"-Drive) - Figure 27 62

Transmission and Related Parts (Velvet Drive 5000) - Figure 28 64

Transmission and Related Parts (Hurth Gear) - Figure 29 66

Kits, Options, and Accessories 68

“TYPICAL VIEWS ARE SHOWN”

ENGINE ROTATION

Engine Rotation is identified as “RH” or “LH” with the engine model number. Rotation always is determined from the flywheel end looking toward the front of the engine. In some instances, propeller shaft rotation may be opposite to that of the engine.

When ordering a replacement engine, production block or parts for the engine, be certain to check engine rotation. **DO NOT rely on propeller rotation in order to determine engine rotation.**

LEFT-HAND ROTATION is STANDARD ROTATION.

(Flywheel turns counterclockwise when viewed from flywheel end of the engine.)

RIGHT-HAND ROTATION is OPPOSITE ROTATION.

(Flywheel turns clockwise when viewed from flywheel end of the engine.)

HOW TO READ THIS PARTS BOOK:

ITEM	PART NO.	QTY.	DESCRIPTION	MODEL ID
1	RB001018A	AR	Base Engine Assembly, 8.1L Standard, bottom mount starter	25-810-02



- ① ITEM NUMBER - This number corresponds with the number in the exploded view on the facing page.
- ② PART NUMBER - This is the designated part number for the particular component or assembly.
- ③ QUANTITY - This refers to the number of pieces used.
- ④ DESCRIPTION - This identifies what the component or assembly is.
- ⑤ MODEL ID - This identifies a component or assembly that is unique to a specific engine model.

=====

Symbols shown throughout parts list are defined here or on the bottom of the individual parts list page.

- AR = As Required
- OPT = Optional
- NSS = Not Serviced Separately
- NA = Not Available
- OS = Oversize
- US = Undersize
- SS = Single Station
- DS = Dual Station
- TBD = To Be Determined
- NI = Not Illustrated

=====

REPLACEMENT PARTS:



WARNING:

Electrical, ignition and fuel system components on Crusader Engines are designed and manufactured to comply with U.S. Coast Guard rules and regulations to minimize risks of fire or explosion.

Use of replacement electrical, ignition and fuel system components which do not comply with these rules and regulations could result in a fire or explosion hazard and should be avoided.

GASKET AND DECAL KIT NUMBERS:

Description	Part Number
Complete Engine Overhaul Gasket Set	TBD
Valve Grind Gasket Set	TBD
Oil Pan Gasket Set	RM0263
Intake Manifold Gasket Set	RM0267

MAINTENANCE ITEM PART NUMBERS:

Description	Part Number
Oil Filter	22679
Kit, Transmission Oil Filter (ZF)	RP077011
Kit, Fuel / Water Separator	RK080033
Fuel Filter, screen and gasket, pre-filter	RP077014
Fuel Filter, FCC	RP080026
Spark Plugs	R030009
Spark Plug Wire Set	RK120019
Accessory Drive Belt	R066024A
Impeller Kit	RP061022
Thermostat	R026007
On-Board Spare Parts Kit	RK173087-07

CHANGE NOTICE:

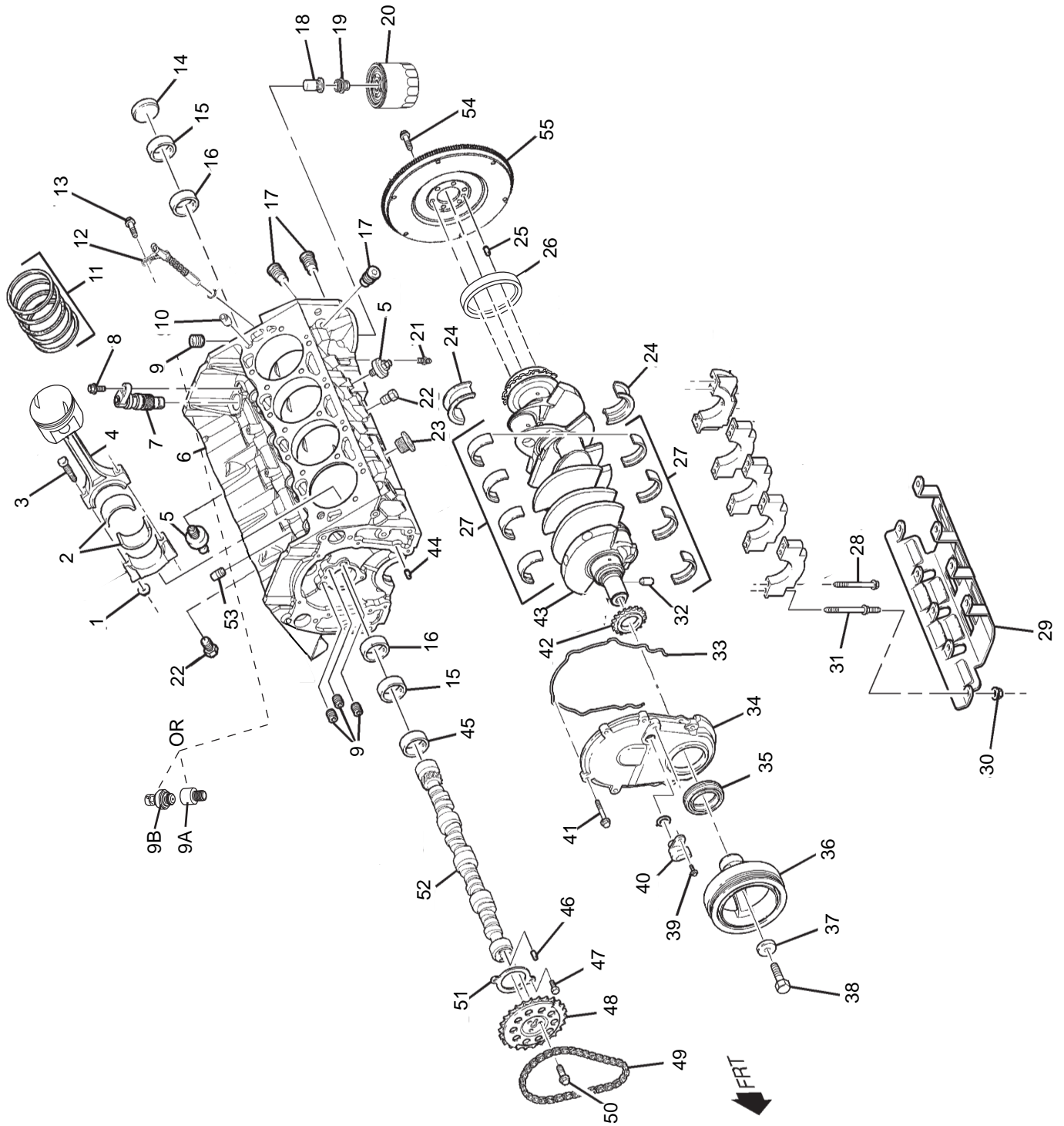
Change Pages	Date Updated
Revised	07/07
Page 51	09/07
Page 41	10/07

MARINE TRANSMISSIONS:

Crusader Engines are equipped with Velvet Drive or Hurth Transmissions or "V"-drives. If transmission parts are required, contact your dealer or closest Crusader Parts Distributor for required parts.

Parts manuals and overhaul manuals are available through Crusader Distributors.

CYLINDER BLOCK ASSEMBLY - FIGURE 1

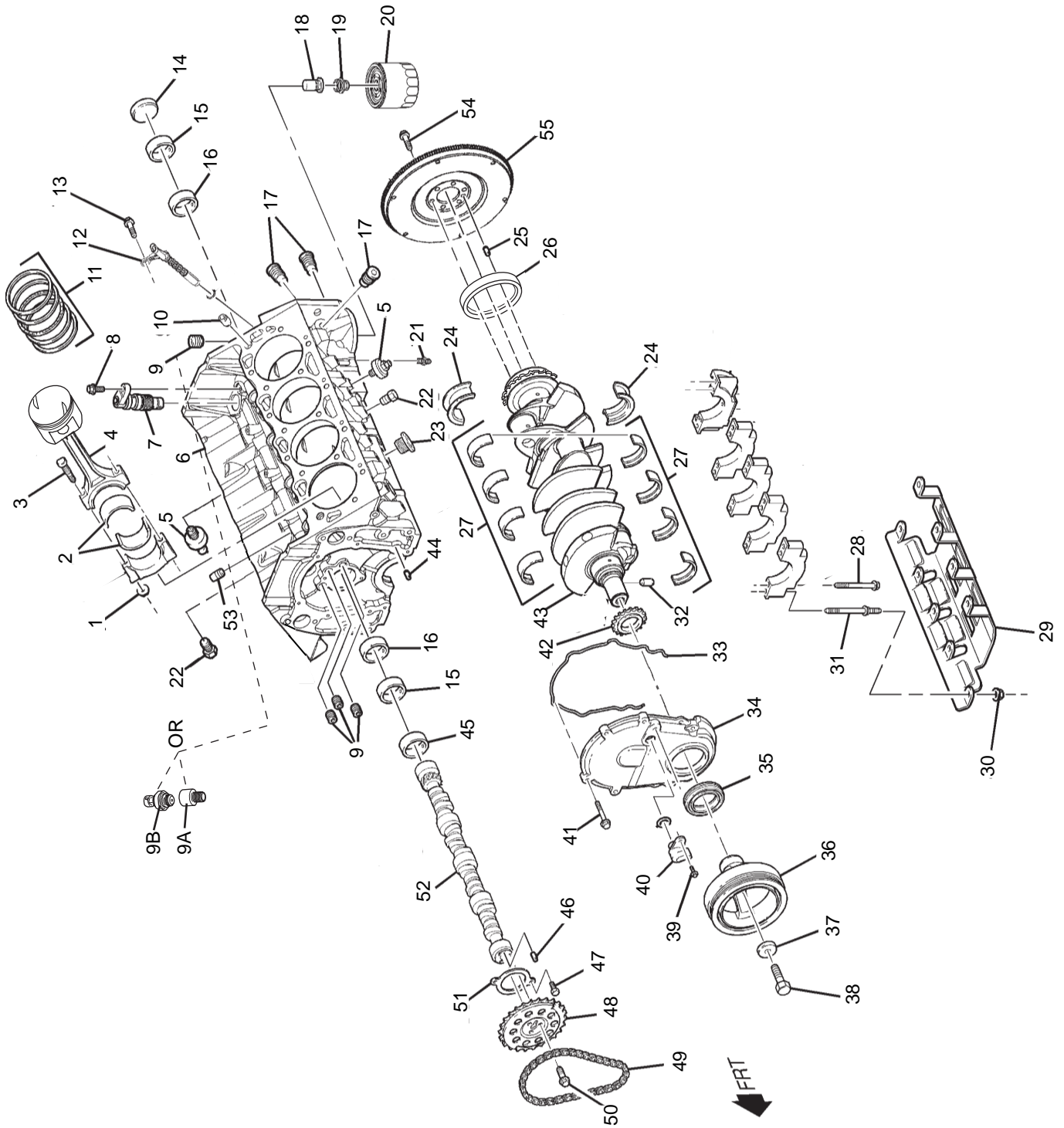


PC81001_05

CYLINDER BLOCK ASSEMBLY - FIGURE 1

ITEM	PART NO.	QTY.	DESCRIPTION	MODEL ID
*	RB001018	AR	Base Engine Assembly , 8.1L Standard, top mount starter	
*	RB001018A	AR	Base Engine Assembly , 8.1L Standard, bottom mount starter	25-810-02
*	RB001019	AR	Base Engine Assembly , 8.1L H.O., top mount starter	
*	RB001019A	AR	Base Engine Assembly , 8.1L H.O., bottom mount starter	25-811-02
1	R017080	16	Nut , connecting rod cap	
2	R007026	8	Bearing Set , connecting rod (STD)	
3	R009195	16	Bolt , connecting rod cap	
4	RA013015A	4	Piston and Connecting Rod Assembly ,(LH/STD)	
4	RA013015B	4	Piston and Connecting Rod Assembly , (RH/STD)	
5	R020033	2	Sensor , knock	
6	NSS	1	Cylinder Block	
7	RA073001	1	Drive , oil pump	
8	TBD	1	Bolt , oil pump drive	
9	TBD		Plug , oil gallery	
9A	R024223	1	Adapter , oil pressure sensor	07-810V-01
9B	R020048	1	Sensor , oil pressure (CAN-Bus)	07-810V-01
10	R022021	4	Pin , cylinder head locating	
11	R015012	8	Ring Set , piston (STD)	
12	R020034	1	Sensor , crankshaft position	
13	TBD	1	Bolt , crankshaft position sensor	
14	R069065	1	Plug , camshaft	
15	R051039B	2	Bearing , camshaft #2 and #5	
16	R051039A	2	Bearing , camshaft #3 and #4	
17	TBD	4	Plug , engine block oil gallery	
18	TBD	1	Valve , oil bypass	
19	R079048	1	Fitting , oil bypass adapter	
20	R079065	1	Adapter , oil bypass 8.1L	
21	R024183	2	Connector , engine oil cooler hose	
22	R069070	2	Plug , engine block coolant drain hole	
23	TBD	1	Plug , engine block coolant drain hole	
24	R007028	1	Bearing , crankshaft (thrust)	
25	TBD	2	Pin , flywheel locating	
26	R047224	1	Seal , crankshaft rear oil	
27	R007027	4	Bearing , crankshaft (STD)	
28	R009196	10	Bolt , crankshaft bearing cap	
29	R012023	1	Deflector , crankshaft oil	
30	TBD		Nut , crankshaft oil deflector	
31	R031032	9	Stud , crankshaft bearing cap	
32	TBD	1	Pin , crankshaft balancer locating	
33	RM0264	1	Gasket , engine front cover	
34	TBD	1	Cover , engine front cover (includes gasket and seal,	
35	R047225	1	Seal , crankshaft front oil	

CYLINDER BLOCK ASSEMBLY (cont'd) - FIGURE 1

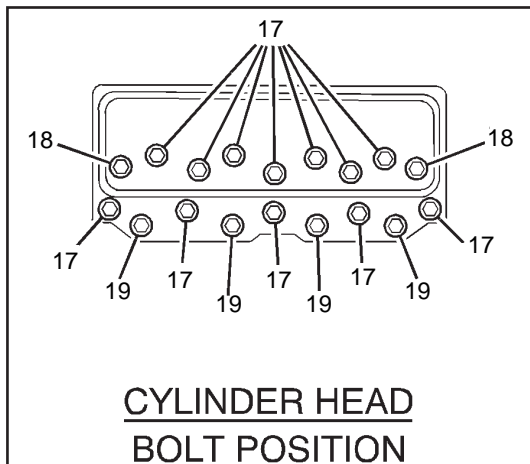
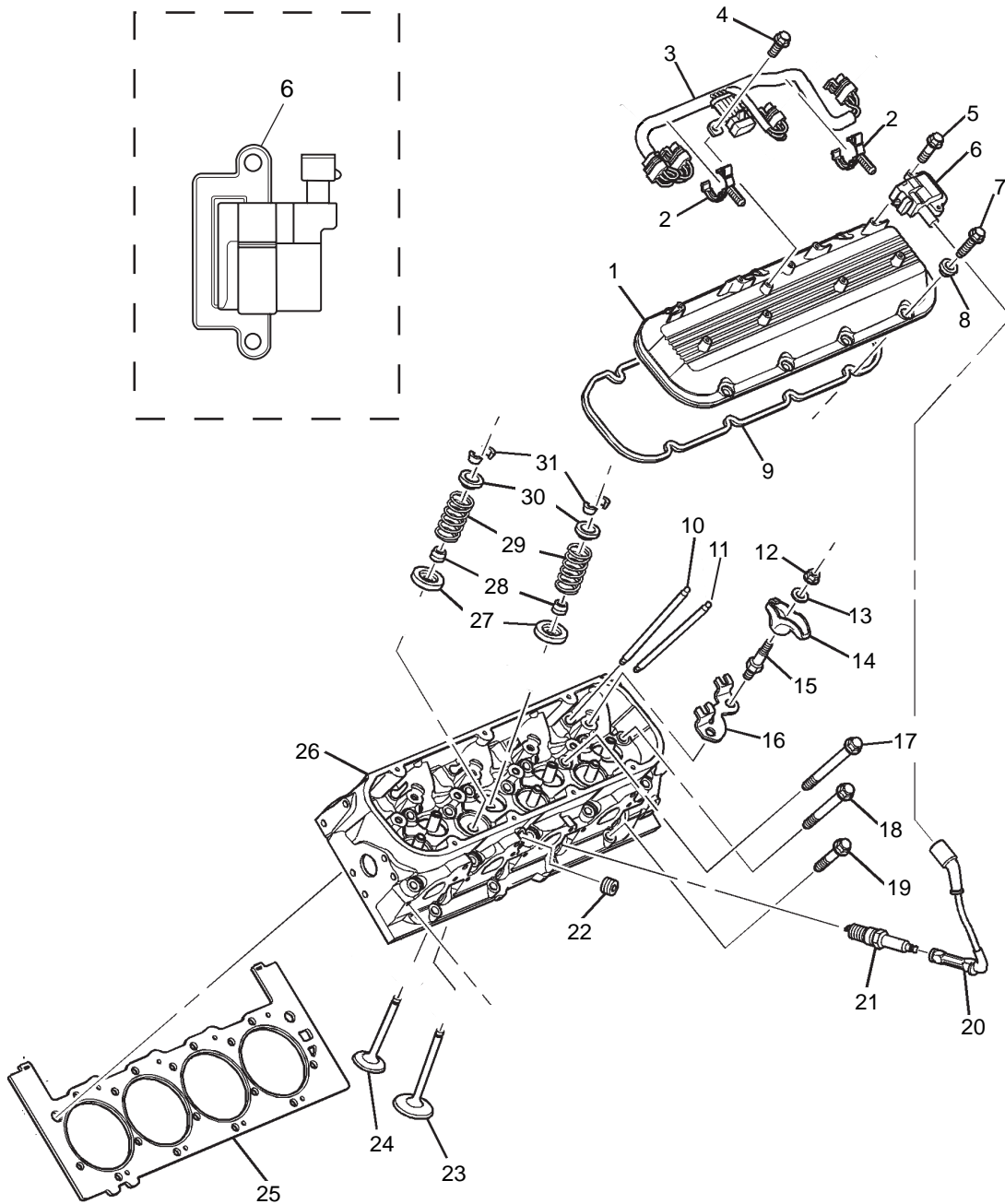


PC81001_05

CYLINDER BLOCK ASSEMBLY (cont'd) - FIGURE 1

ITEM	PART NO.	QTY.	DESCRIPTION	MODEL ID
36	R064015	1	Balancer , crankshaft	
37	R096146	1	Washer , crankshaft balancer	
38	TBD	1	Bolt , crankshaft balancer	
39	TBD	1	Bolt , camshaft position sensor	
40	R020035A	1	Sensor , camshaft position sensor	
41	TBD	6	Bolt , engine front cover	
42	TBD	1	Sprocket , crankshaft,	
43	R006029	1	Crankshaft	
44	R022022	1	Pin , engine front cover locating	
45	R051039A	1	Bearing , camshaft #1	
46	R022022	1	Pin , camshaft sprocket locating	
47	TBD	2	Bolt , camshaft retaining	
48	R054040	1	Sprocket , camshaft	
49	R055016	1	Chain , camshaft timing	
50	TBD	3	Bolt , camshaft sprocket	
51	R109050	1	Retainer , camshaft	
52	RA050023	1	Camshaft , engine (STD)	
52	RA050024	1	Camshaft , engine (HO)	
53	TBD	3	Plug , engine block oil gallery	
54	TBD	6	Bolt , flywheel to crankshaft	
55	RA138015	1	Flywheel Assembly , (Bottom Mount Starter)	25-810-02, 25-811-02
55	RA138014	1	Flywheel Assembly , (Top Mount Starter)	

CYLINDER HEAD ASSEMBLY - FIGURE 2

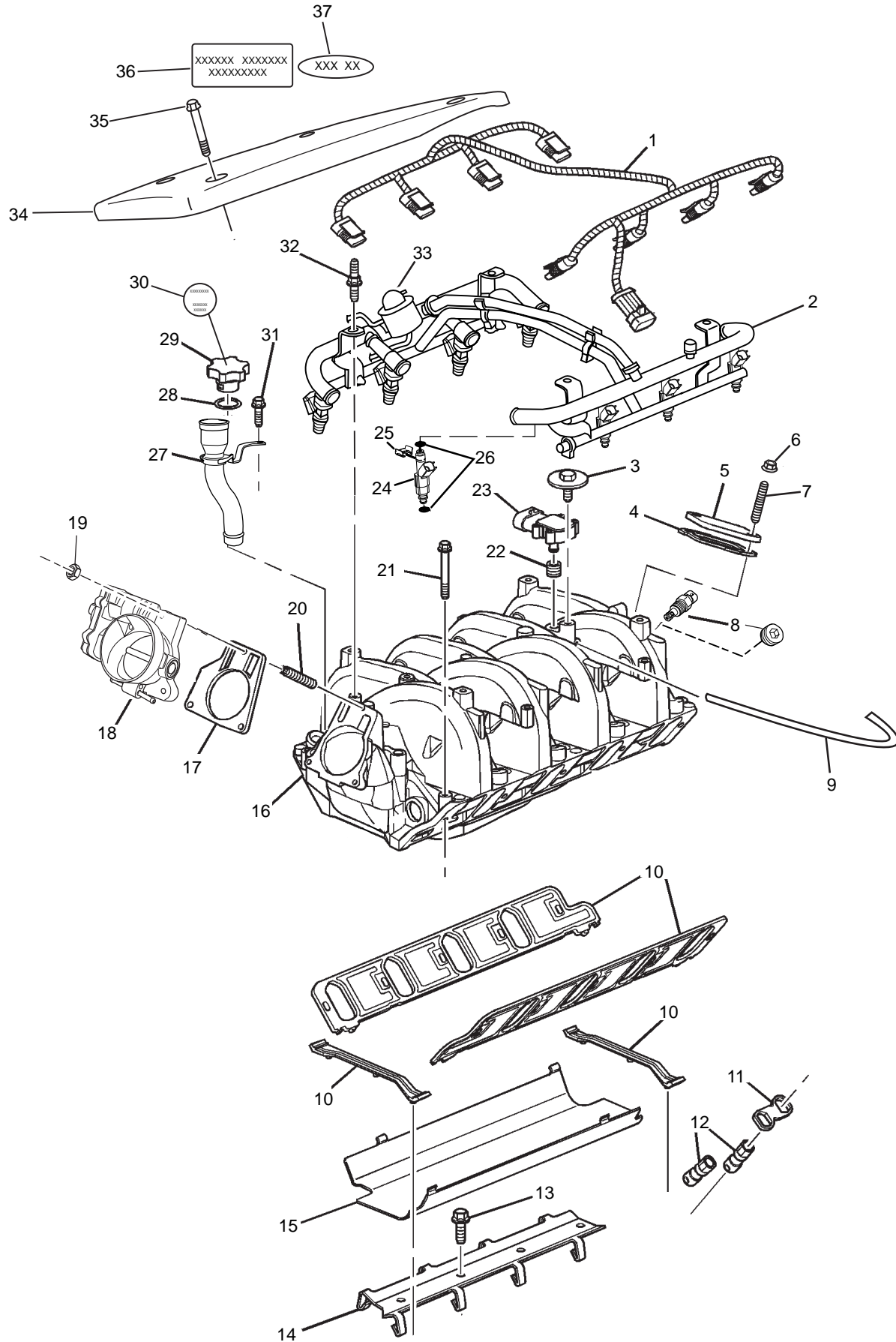


PC81002

CYLINDER HEAD ASSEMBLY - FIGURE 2

ITEM	PART NO.	QTY.	DESCRIPTION	MODEL ID
1	TBD	2	Cover , rocker	
2	R127096	4	Retainer , ignition coil wire harness	
3	R121074A	2	Wire Harness , ignition coils	
4	TBD	2	Bolt , ignition coil wire harness retaining	
5	TBD	16	Bolt , ignition coil retaining	
6	R117013	8	Coil , ignition	
7	R009200	14	Bolt , rocker cover retaining	
8	R094039	14	Grommet , rocker cover retaining	
9	RM0261	2	Gasket , rocker cover	
10	R039021	8	Push Rod , intake	
11	R039022	8	Push Rod , exhaust	
12	R017079	16	Nut , rocker arm attaching	
13	TBD	16	Ball , rocker arm	
14	R038018	16	Rocker Arm , valve	
15	R095039	16	Stud , push rod guide attaching	
16	R037003	8	Guide , pushrod	
17	R009197	24	Bolt , cylinder head to block (long)	
18	R009198	4	Bolt , cylinder head to block (medium)	
19	R009199	8	Bolt , cylinder head to block (short)	
20	RK120019	1	Spark Plug Wire Set	
21	R030009	8	Spark Plug	
22	TBD	2	Plug , pipe (1/2")	
23	R043033	8	Valve , intake (STD)	
24	R043034	8	Valve , exhaust (STD)	
25	RM0262B	1	Gasket , cylinder head (RH)	
25	RM0262A	1	Gasket , cylinder head (LH)	
26	TBD	1	Cylinder Head Assembly (RH)	
26	TBD	1	Cylinder Head Assembly (LH)	
27	R049013	16	Rotator , valve	
28	R047226	16	Seal , valve stem	
29	R046049	16	Valve Spring Assembly	
30	R049014	16	Cap , valve spring	
31	R049010	32	Retainer , valve stem	

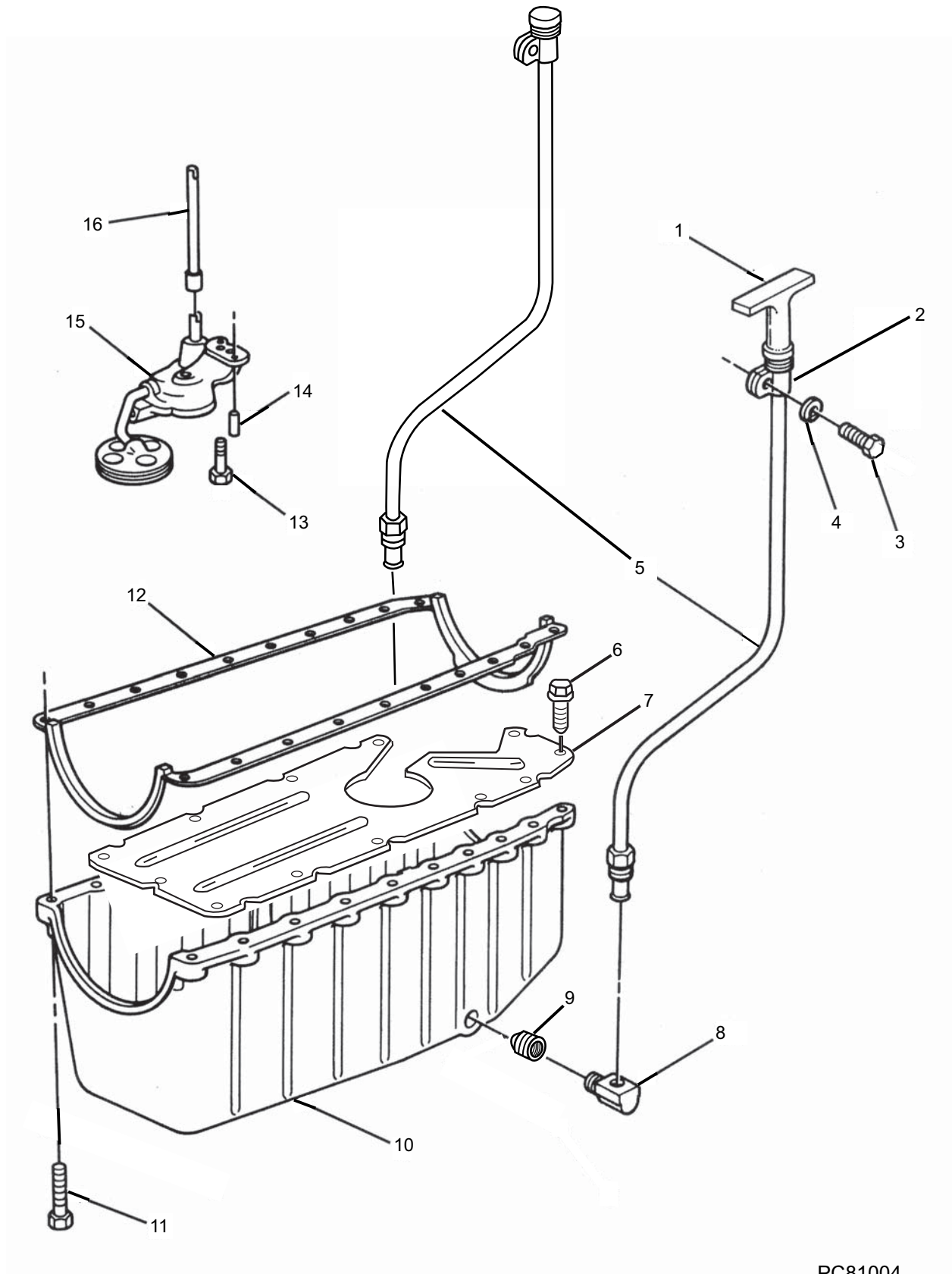
INTAKE MANIFOLD ASSEMBLY - FIGURE 3



INTAKE MANIFOLD ASSEMBLY - FIGURE 3

ITEM	PART NO.	QTY.	DESCRIPTION	MDOEL ID
1	R121075	1	Wire Harness , fuel injectors	
2	RA086001A	1	Fuel Rail Assembly , without fuel return line	
3	TBD	1	Bolt , MAP sensor retaining	
4	RM0265	1	Gasket , EGR blockoff cover	
5	TBD	1	Cover , EGR blockoff	
6	TBD	2	Nut , EGR blockoff cover attaching	
7	TBD	2	Stud , EGR blockoff cover attaching	
8	R020032	1	Air Temp Sensor	
8	TBD	1	Plug , intake manifold core hole	07-811V-01
9	20237	1	Hose , fuel pressure regulator vacuum	
10	RM0267	1	Gasket Set , intake manifold	
11	R037004	8	Guide , valve lifter	
12	R040004	16	Lifter , valve	
13	TBD	4	Bolt , valve lifter retainer	
14	R090253	1	Retainer , valve lifter	
15	R012025	1	Guard , oil splash - lifter	
16	TBD	1	Intake Manifold	
17	RM0251	1	Gasket , throttle body mounting	
18	RA035041	1	Throttle Body , electronic throttle	
19	49027	3	Nut , throttle body attaching	
20	TBD	3	Stud , throttle body mounting	
21	TBD	10	Bolt , intake manifold to cylinder head	
22	TBD	1	Seal , MAP sensor	
23	R020036	1	MAP Sensor	
24	RA087006	8	Fuel Injector Assembly	
25	R127097	8	Retainer , fuel injector to fuel rail	
26	RK047227	8	O-Ring , kit fuel injector	
27	R034046B	1	Riser , oil fill	
28	NSS	1	O-Ring , oil fill riser cap	
29	R034038B	1	Cap , oil fill riser	
30	R143137	1	Decal , oil fill riser cap	
31	TBD	1	Bolt , oil fill riser attaching	
32	TBD	3	Stud , fuel rail assembly attaching	
33	NSS	1	Dampener , fuel rail	
34	R060057	1	Cover , engine	
35	99225030	4	Bolt , engine cover attaching	
36	R143130	AR	Decal , "CAPTAIN'S CHOICE"	
36	R143130A	AR	Decal , "CRUSADER ENGINES"	
37	R143133	AR	Decal , "8.1 MPI" (red/silver)	
37	R143133A	AR	Decal , "8.1 MPI" (black/silver)	
37	R143134	AR	Decal , "8.1 HO" (red/silver)	

OIL PAN and OIL PUMP ASSEMBLY - FIGURE 4

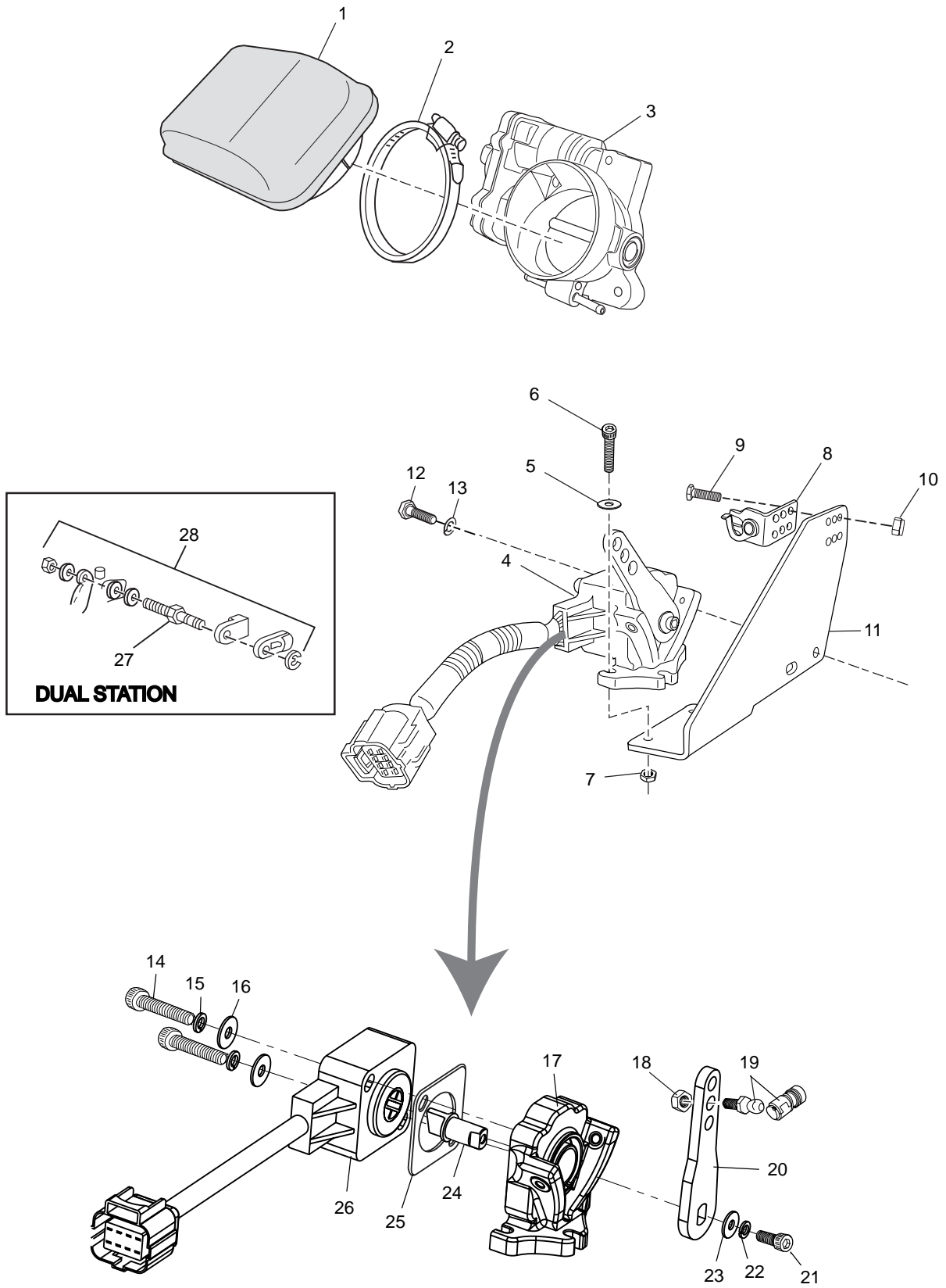


PC81004

OIL PAN and OIL PUMP ASSEMBLY - FIGURE 4

ITEM	PART NO.	QTY	DESCRIPTION	QUANTITY
1	R041068	1	Dipstick , oil level (Level)	
1	R041069	1	Dipstick , oil level (Angled)	
2	R127015	2	Clamp , dipstick tube attaching	
3	98443025	2	Bolt , dipstick tube attaching	
4	93940000	2	Lockwasher , dipstick tube attaching bolt	
5	R041072	2	Dipstick Tube	
6	TBD	12	Bolt , oil pan baffle	
7	R012026	1	Baffle , oil pan	
8	R024017	2	Elbow , dipstick tube to oil pan	
9	R024200	2	Adapter , dipstick elbow to oil pan	
10	R005023	1	Oil Pan	
11	TBD	20	Bolt , oil pan mounting	
12	RM0263	1	Gasket , oil pan	
13	TBD	2	Bolt , oil pump mounting	
14	R022022	1	Pin , dowel - oil pump aligning	
15	RA070017	1	Oil Pump Assembly	
16	R058055	1	Shaft , oil pump to oil drive	
NI	TBD	1	Kit , oil drain	

THROTTLE BODY and RELATED COMPONENTS - FIGURE 5

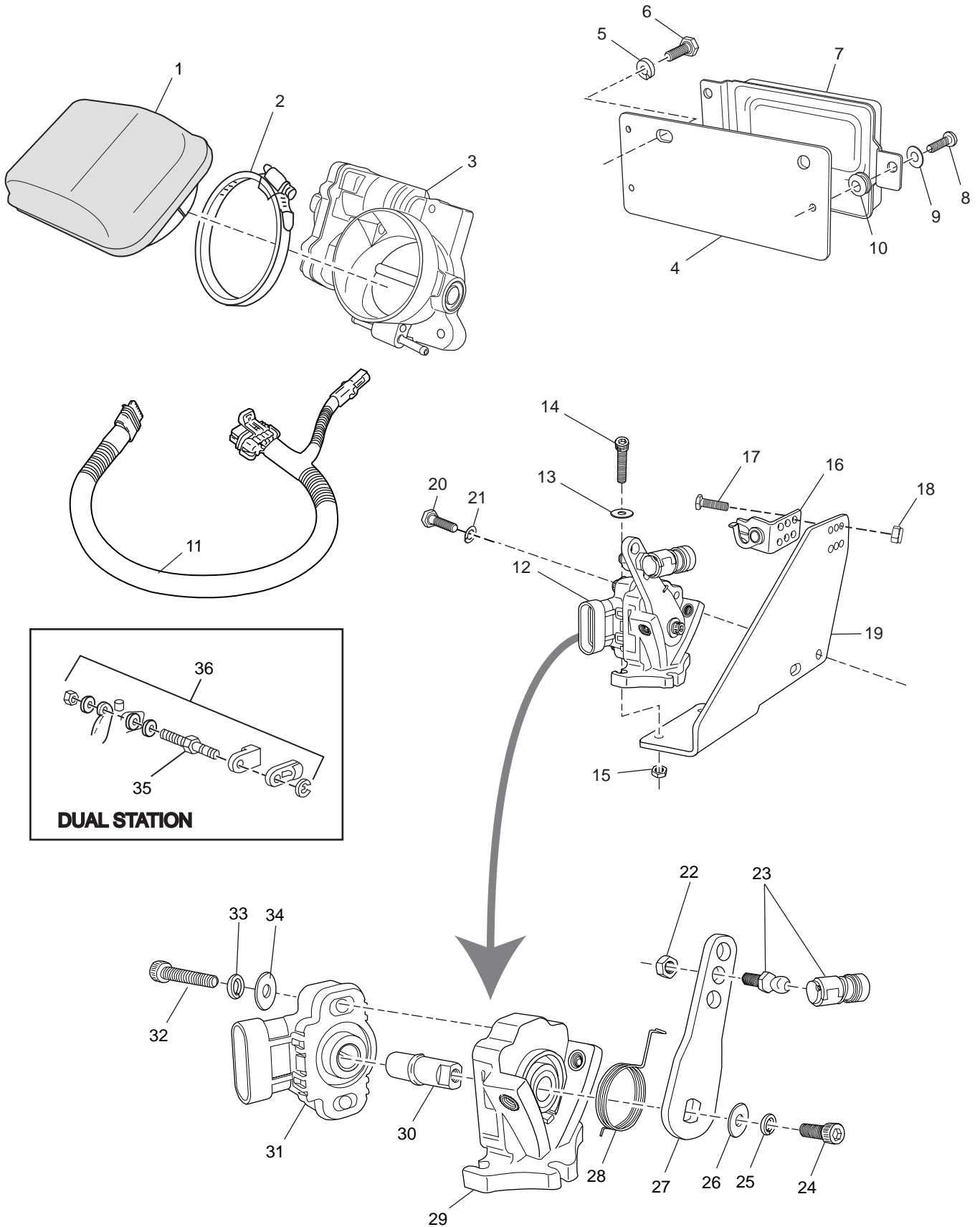


PC81005-C07

THROTTLE BODY and RELATED COMPONENTS - FIGURE 5

ITEM	PART NO.	QTY	DESCRIPTION	MODEL ID
1	R145021A	1	Flame Arrestor	
2	RS3857	1	Clamp , retaining	
3	RA035041	1	Throttle Body Assembly	
4	RA119005	1	Throttle Control Position (TCP) Sensor Assembly	
5	92004000	3	Flatwasher , TCP assembly attaching	
6	91864075	3	Bolt , TCP assembly attaching	
7	RS2052	3	Locking Nut , TCP assembly attaching	
8	R090086	1	Cable Clip , throttle attaching (single station)	
9	RS2055	2	Locking Nut , cable clip attaching bolt	
10	RS5122	2	Bolt , cable clip attaching	
11	R090323	1	Bracket , TCP Assembly mounting	
12	RS0251	2	Bolt , TCP Assembly mounting bracket attaching	
13	RS2178	2	Lockwasher , TCP Assembly mounting bracket attaching	
14	91064125	2	Bolt , TCP Sensor attaching	
15	93040000	2	Lock Washer , TCP Sensor attaching	
16	92004000	2	Flat Washer , TCP Sensor attaching	
17	R109053A	1	Plate Assembly , TCP Sensor	
18	RS1568	1	Nut , ball joint attaching	
19	R178003	1	Ball Joint Assembly	
20	R081009	1	Arm , TCP Sensor	
21	91864050	1	Bolt , TCP Sensor arm attaching	
22	94854500	1	Lock Washer , TCP Sensor arm attaching	
23	94004200	1	Flat Washer , TCP Sensor arm attaching	
24	R058071	1	Shaft , TCP Sensor	
25	R062090	1	Spacer , TCP support	
26	R119005	1	TCP Sensor	
27	22978	AR	Pivot Pin , cable attaching (dual station)	
28	23235	AR	Cable Attaching Kit , (dual station)	

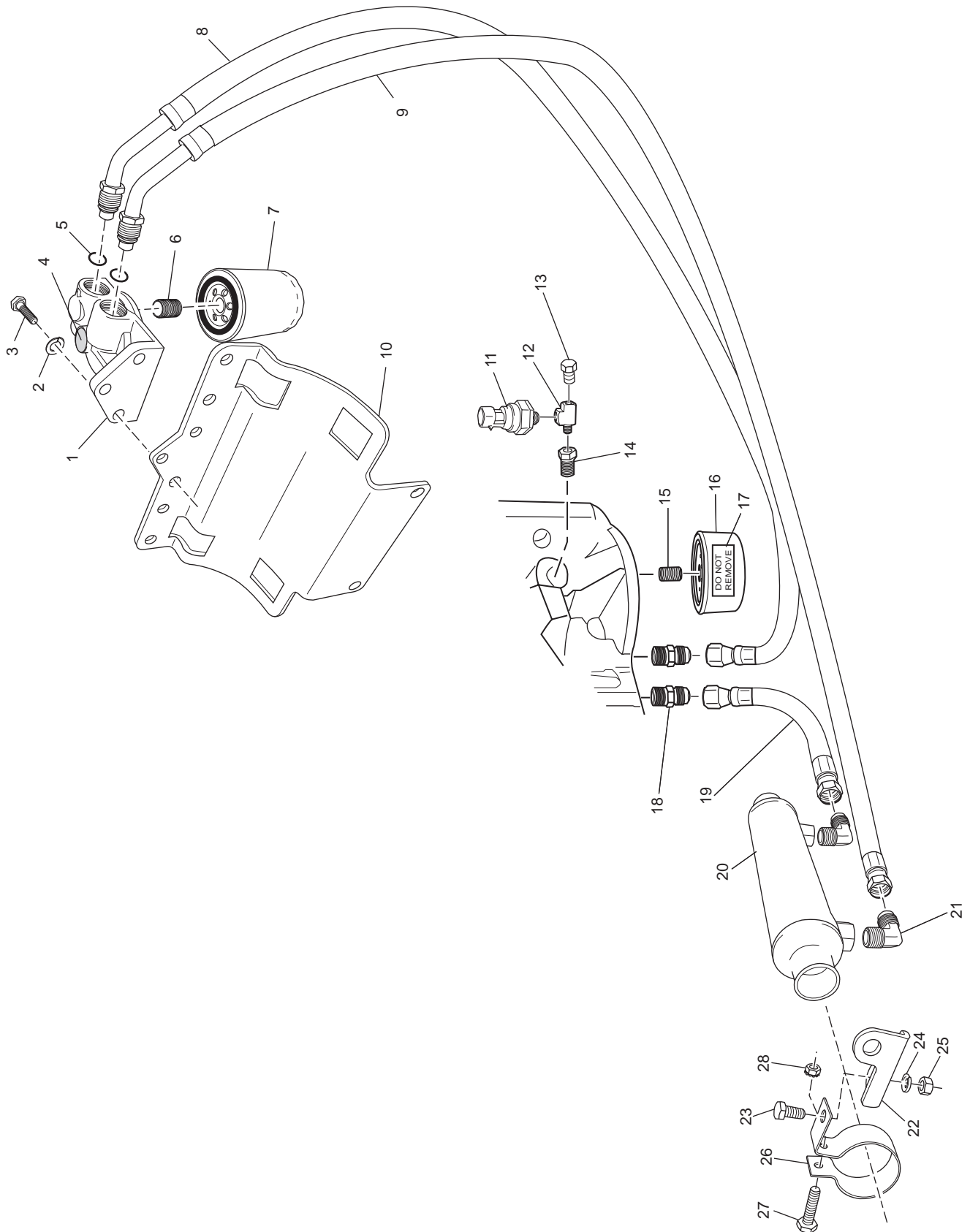
MODEL 07-811V-01 THROTTLE BODY and RELATED COMPONENTS - FIGURE 6



MODEL 07-811V-01 THROTTLE BODY and RELATED COMPONENTS - FIGURE 6

ITEM	PART NO.	QTY.	DESCRIPTION	MODEL ID
1	R145021A	1	Flame Arrestor Assembly	
2	RS3857	1	Clamp , flame arrestor	
3	RA035041	1	Throttle Body Assembly , electronic	
4	R090321A	1	Bracket , TAC Module mounting	07-811V-01
5	RS2179	2	Lockwasher , TAC Module mounting bracket attaching	07-811V-01
6	98333020	2	Bolt , TAC Module mounting bracket attaching	07-811V-01
7	R116020	1	Throttle Actuator Control (TAC) Module	07-811V-01
8	91087050	3	Screw , self-tapping, TAC Module attaching	07-811V-01
9	R096142	3	Flatwasher , TAC Module attaching	07-811V-01
10	R094042	3	Grommet , TAC Module attaching	07-811V-01
11	R121086A	1	Harness , TCP Sensor to TAC Module	07-811V-01
12	RA119004	1	Throttle Control Position (TCP) Sensor Assembly	07-811V-01
13	92004000	3	Flatwasher , TCP assembly attaching	
14	91864075	3	Bolt , TCP assembly attaching	
15	RS2052	3	Locking Nut , TCP assembly attaching	
16	R090086	1	Cable Clip , throttle attaching (single station)	
17	RS2055	2	Locking Nut , cable clip attaching bolt	
18	RS5122	2	Bolt , cable clip attaching	
19	R090323	1	Bracket , TCP Assembly mounting	
20	RS0251	2	Bolt , TCP Assembly mounting bracket attaching	
21	RS2178	2	Lockwasher , TCP Assembly mounting bracket attaching	
22	RS1568	1	Nut , ball joint attaching	
23	R178003	1	Ball Joint Assembly	
24	91874050	1	Bolt , TCP Sensor arm attaching	07-811V-01
25	94854500	1	Lock Washer , TCP Sensor arm attaching	07-811V-01
26	94804000	1	Flat Washer , TCP Sensor arm attaching	07-811V-01
27	R081009	1	Arm , TCP Sensor	07-811V-01
28	R046051	1	Spring , TCP Sensor	07-811V-01
29	R109053	1	Plate Assembly , TCP Sensor	07-811V-01
30	R058070	1	Shaft , TCP Sensor	07-811V-01
31	R119004	1	TCP Sensor	07-811V-01
32	91064100	2	Bolt , TCP Sensor attaching	07-811V-01
33	93040000	2	Lock Washer , TCP Sensor attaching	07-811V-01
34	92004000	2	Flat Washer , TCP Sensor attaching	07-811V-01
35	22978	AR	Pivot Pin , cable attaching (dual station)	
36	23235	AR	Cable Attaching Kit , (dual station)	

REMOTE OIL FILTER COMPONENTS - FIGURE 7

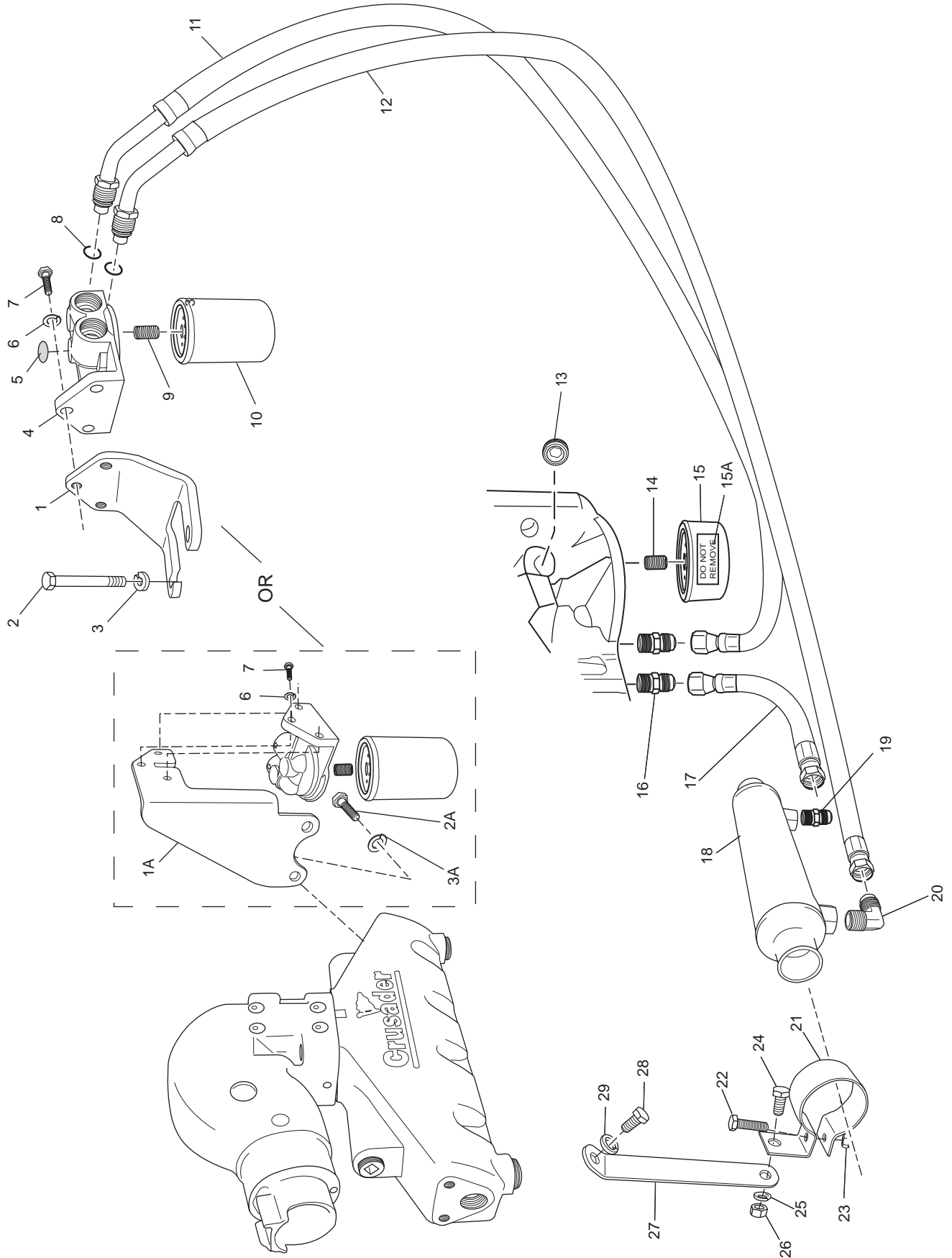


PC81006-C07

REMOTE OIL FILTER COMPONENTS - FIGURE 7

ITEM	PART NO.	QTY.	DESCRIPTION	MODEL ID
1	R079066	1	Oil Filter Header	
2	93930000	3	Lockwasher , header mounting to brkt	
3	98333020	3	Bolt , header mounting to brkt	
4	R143175	1	Decal , "Caution Hot"	
5	R047245	2	O-Ring , oil line	
6	R024203	1	Nipple , header filter adapter	
7	22679	1	Filter , oil	
8	RA045155A	1	Hose Assembly , engine block to filter header	
9	RA045155A	1	Hose Assembly , filter header to cooler	
10	R090258	1	Bracket , heat exchanger - ROF header mounting	
11	R020049	1	Sender , oil pressure	
12	R024145	1	Tee , sender attaching	
13	RS3554	1	Plug , oil pressure sensor tee	
14	RS3677	1	Adapter , sender attaching tee	
15	R079048	1	Fitting , oil bypass adapter	
16	R079065	1	Adapter , oil bypass	
17	R143135	1	Decal , oil bypass adapter	
18	R024183	2	Fitting , 5/8 SAE X 1/2 NPT, Straight	
19	RA045121A	1	Hose Assembly , cooler to engine block	
20	R147049	1	Cooler , oil	
21	R024184	2	Fitting , 5/8 SAE X 1/2 NPT, 90 degree	
22	R090013A	1	Bracket , oil cooler attaching	
23	RS0302	1	Bolt , oil cooler attaching	
24	RS2180	1	Lockwasher , oil cooler attaching	
25	RS2058	1	Nut , oil cooler attaching	
26	R090010	1	Clamp , oil cooler mounting	
28	RS0256	1	Bolt , oil cooler clamp	
29	RS1028	1	Nut , oil cooler clamp	

MODEL ID - 07-811V-01 REMOTE OIL FILTER COMPONENTS - FIGURE 8

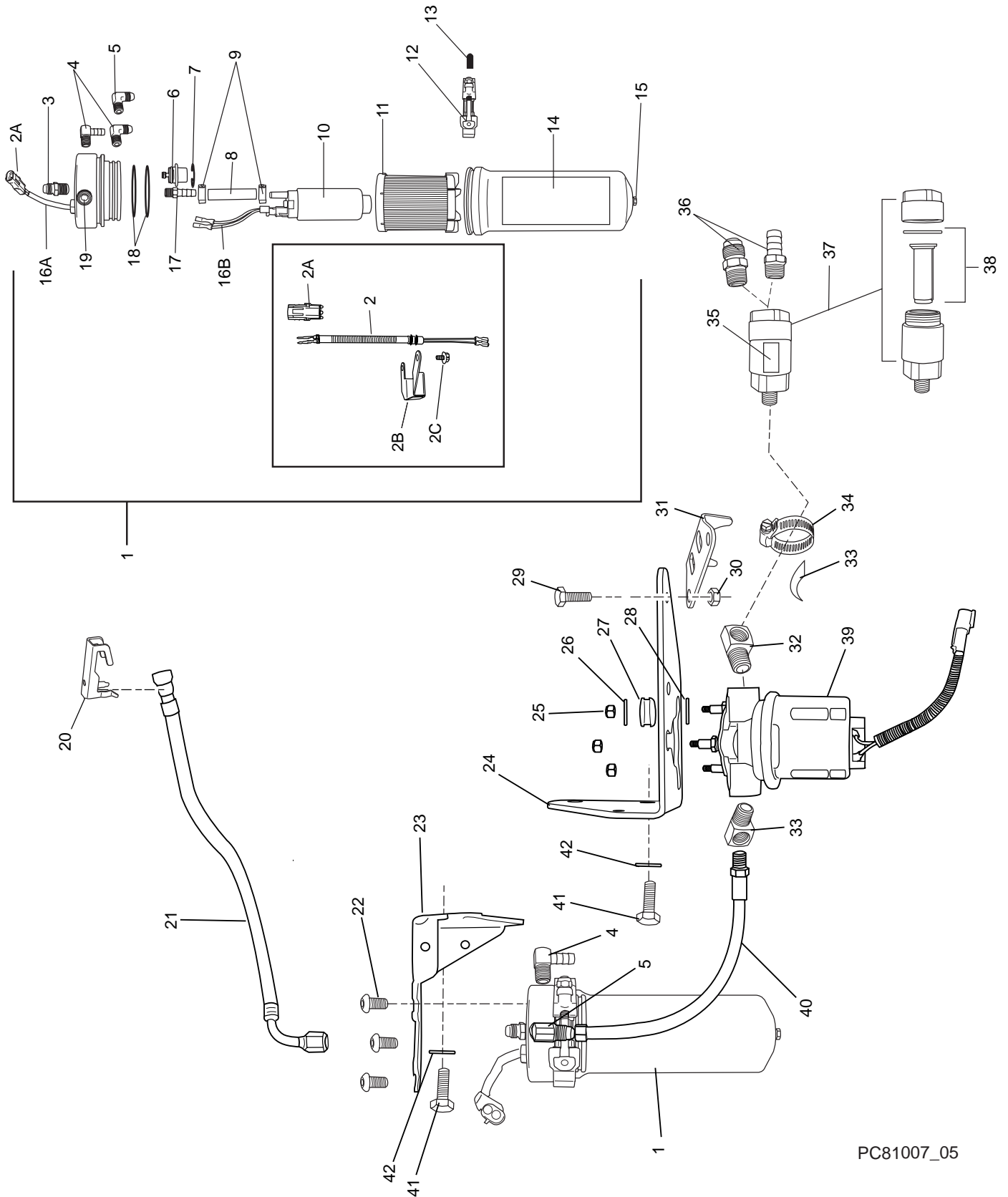


PC81006-C06mc

MODEL ID - 07-811V-01 REMOTE OIL FILTER COMPONENTS - FIGURE 8

ITEM	PART NO.	QTY.	DESCRIPTION	MODEL ID
1	R090226	1	Bracket , ROF header mounting	07-811V-01
1A	R090324	1	Bracket , ROF header mounting	07-811V-01
2	90305525	2	Bolt , ROF bracket attaching	07-811V-01
2A	RS0302	2	Bolt , ROF bracket attaching	07-811V-01
3	RS2674	3	Flat Washer , ROF bracket attaching	07-811V-01
3A	RS2180	3	Lock Washer , ROF bracket attaching	07-811V-01
4	R079066	1	Oil Filter Header	07-811V-01
5	R143175	1	Decal , "Caution Hot"	07-811V-01
6	93930000	3	Lockwasher , header mounting to brkt	07-811V-01
7	98333020	3	Bolt , header mounting to brkt	07-811V-01
8	R047245	2	O-Ring , oil line	07-811V-01
9	R024203	1	Nipple , header filter adapter	07-811V-01
10	22679	1	Filter , oil	07-811V-01
11	RA045120B	1	Hose Assembly , engine block to filter header (w/R090226)	07-811V-01
11	RA045120D	1	Hose Assembly , engine block to filter header (w/R090324)	07-811V-01
12	RA045120B	1	Hose Assembly , filter header to cooler (w/R090226)	07-811V-01
12	RA045120D	1	Hose Assembly , filter header to cooler (w/R090324)	07-811V-01
13	TBD	1	Plug , oil galley	07-811V-01
14	R079048	1	Fitting , oil bypass adapter	07-811V-01
15	R079065	1	Adapter , oil bypass	07-811V-01
15A	R143135	1	Decal , oil bypass adapter	07-811V-01
16	R024183	2	Fitting , remote oil filter hose	07-811V-01
17	RA045121A	1	Hose Assembly , cooler to engine block	07-811V-01
18	R147049	1	Cooler , oil	07-811V-01
19	R024183	1	Fitting , 5/8 SAE X 1/2 NPT, straight	07-811V-01
20	R024184	1	Fitting , 5/8 SAE X 1/2 NPT, 90 degree	07-811V-01
21	R090010	1	Clamp , oil cooler	07-811V-01
22	RS0256	1	Bolt , oil cooler clamp	07-811V-01
23	RS2058	1	Nut , oil cooler clamp	07-811V-01
24	90318275	1	Bolt , oil cooler clamp to bracket attaching	07-811V-01
25	9330000	1	Lockwasher , oil cooler clamp to bracket attaching	07-811V-01
26	95310300	1	Nut , oil cooler clamp to bracket attaching	07-811V-01
27	R090233A	1	Bracket , oil cooler attaching	07-811V-01
28	98443025	1	Bolt , bracket attaching	07-811V-01
29	93940000	1	Lockwasher , bracket attaching	07-811V-01

FUEL CONTROL CELL (FCC) COMPONENTS - SN 670001 through 671343 - FIGURE 9

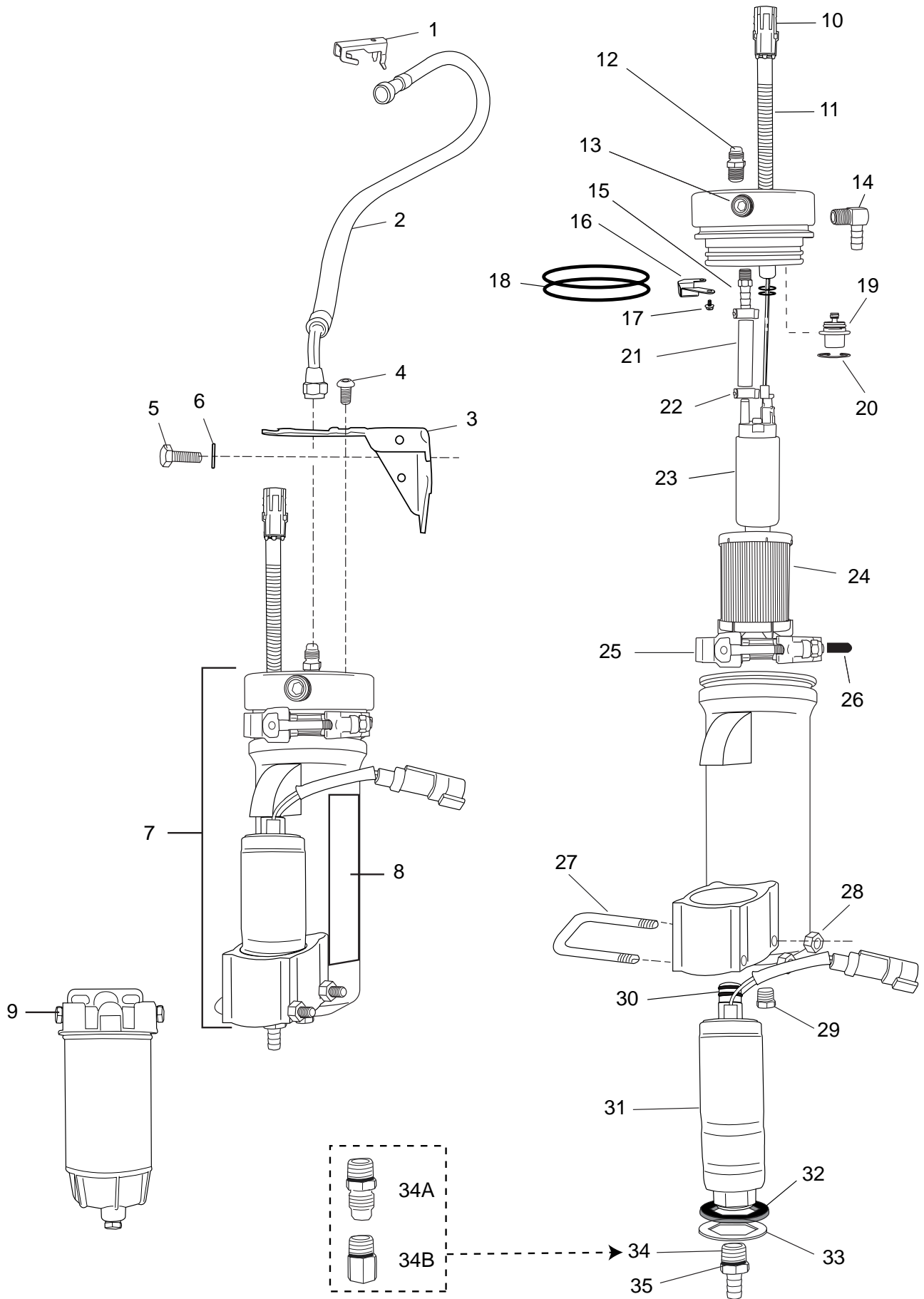


PC81007_05

FUEL CONTROL CELL (FCC) COMPONENTS - SN 670001 through 671343 - FIGURE 9

ITEM	PART NO.	QTY.	DESCRIPTION	MODEL ID
1	RA080030A	1	Fuel Control Cell Assembly	
2	R121085A	1	Harness , 1-piece, FCC pass through (1-piece harness does not retro fit for 2-piece harness)	
2A	7172040	1	Connector , W/P 2-way Female	
2B	R012030	1	Baffle , FCC used w/1-piece harness	
2C	91620025	2	Screw , self tapping, baffle/1-piece harness retaining	
3	R024175	1	Fitting , 1/4 NPT X SAE	
4	R024225	1	Fitting , 1/4 NPT to Hose (return to tank)	
4	R024224	AR	Fitting , 1/4 NPT to SAE (return to tank)	
5	R024163	1	Fitting , 1/4 NPT X SAE (from LPFP)	
6	R088004	1	Regulator , fuel pressure (FCC System Only)	
7	R048070	1	Retainer , fuel pressure regulator	
8	R045098B	1	Hose , 5/16id X 1/2od X 2 1/2	
9	R127087	2	Clamp , Oetiker, 5/8	
10	RA080027	1	Pump , high pressure fuel	
11	R080026	1	Filter , fuel (FCC)	
NI	RP080026	1	Kit , FCC filter and O-rings	
12	R171010	1	Clamp , FCC	
13	R128002	1	Cover , T-bolt end	
14	R143112A	1	Decal , FCC	
15	RS3554	1	Plug , pipe, hex head, 1/8	
16A	RA121060	1	Harness , FCC Feed through	
16B	RA121061A	1	Harness , FCC internal	
17	R024219	1	Fitting , 1/8 NPT X 5/16 Barb	
18	R047241	1	O-Ring , FCC sealing	
19	RS3550	1	Plug , pipe, hex socket, 1/4	
20	R127100	1	Retainer , fuel line	
21	RA085090	1	Hose Assembly , FCC to fuel rail (inlet)	
22	90384075	3	Bolt , FCC attaching	
23	R090227	1	Bracket , FCC mounting	
24	R090228A	1	Bracket , low-pressure fuel pump mounting	
25	RS1521L	3	Locking Nut , low-pressure fuel pump	
26	R096142	3	Washer , flat, mounting, upper	
27	R094035A	3	Grommet , isolator	
28	R096141	3	Washer , fuel pump mounting, lower	
29	RS0251	2	Bolt , pre-filter bracket attaching	
30	RS1078	2	Nut , w/lockwasher, pre-filter bracket attaching	
31	R090272	1	Bracket , pre-filter mounting	
32	R024192	2	Fitting , 90 degree, LPFP	
33	R094040	1	Isolator , rubber, w/ adhesive	
34	RS3858	1	Clamp , pre-filter 1 1/4"	
35	R143174	1	Decal , pre-filter	
36	30603	AR	Fitting , fuel inlet, pre-filter, 3/8 NPT X 1/2 SAE	
36	R024218	1	Fitting , fuel inlet, pre-filter, 3/8 NPT X 1/2 hose barb	
37	RA077014	1	Fuel Pre-filter Assembly, 150 micron	
38	RP077014	1	Kit , fuel filter and seal	
39	RA080018	1	Fuel Pump , low-pressure	
40	RA085070	1	Hose Assembly , low-pressure pump to FCC	
41	98443025	4	Bolt , FCC/LPFP bracket attaching, block	
42	93940000	4	Lockwasher , FCC/LPFP bracket attaching, block	
NI	R143114	1	Decal , Warning, fuel leaks	

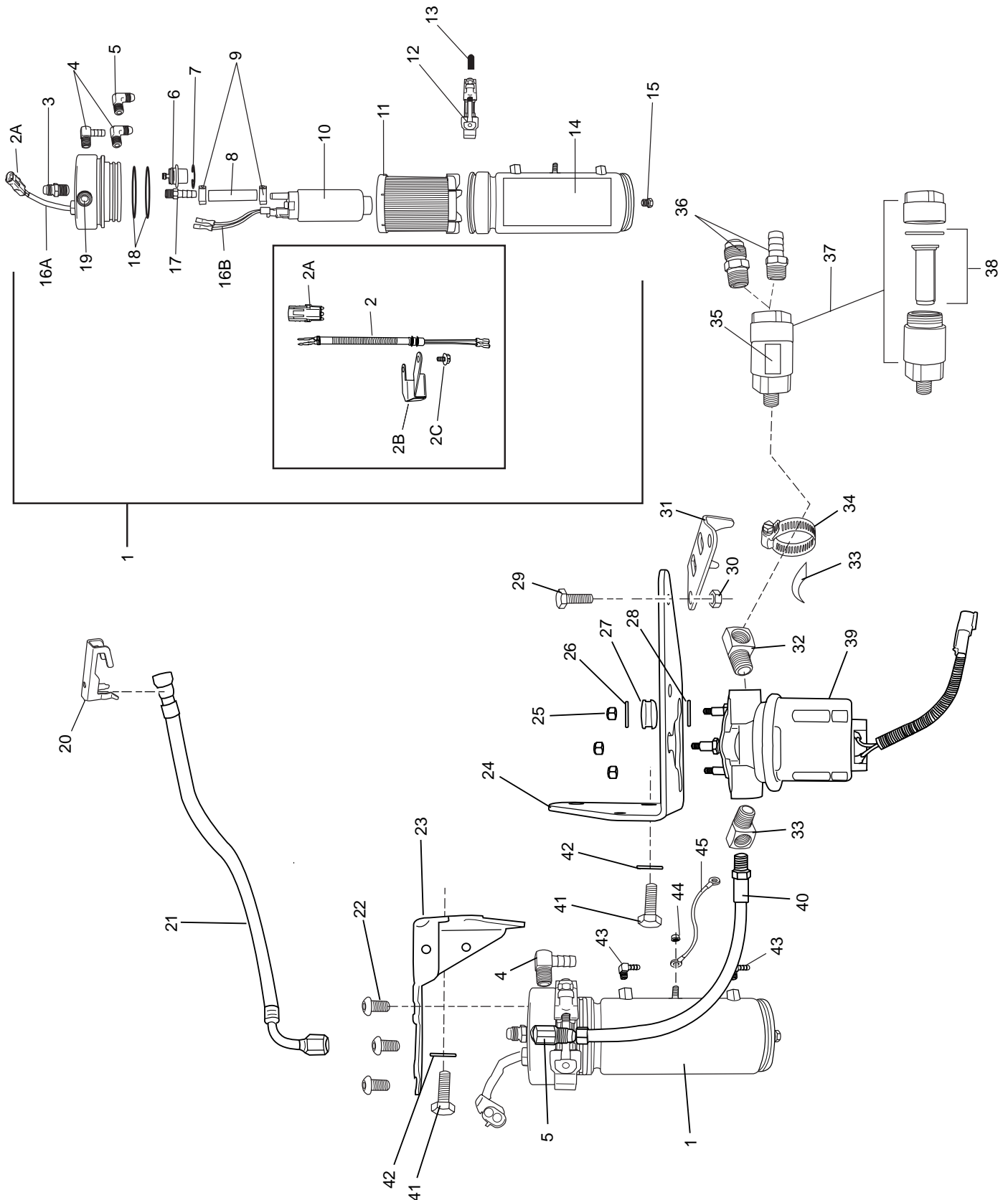
FUEL CONTROL CELL (FCC) COMPONENTS (SN 671344 and above) - FIGURE 10



FUEL CONTROL CELL (FCC) COMPONENTS (SN 671344 and above) - FIGURE 10

ITEM	PART NO.	QTY.	DESCRIPTION	MODEL ID
1	R127100	2	Locking Clip , fuel line	
2	RA085090	1	Hose Assembly , FCC to fuel rail (inlet)	
3	R090227	1	Bracket , FCC mounting	
NI	R143114	1	Decal , Warning, fuel leaks	
4	90384075	3	Bolt , FCC mounting	
5	98443025	2	Bolt , FCC mounting bracket	
6	93940000	2	Lockwasher , FCC mounting bracket	
7	RA080035	1	FCC Assembly	
8	R143112C	1	Decal , FCC	
9	RA080033	1	Filter Assembly , primary fuel (See Figure xx)	
10	7172040	1	Connector , W/P 2-Way Female	
11	R1210085A	1	Harness , 1 piece, FCC high pressure fuel pump	
12	R024175	1	Fitting , FCC head (fuel supply line)	
13	RS3550	2	Plug , FCC head	
14	R024225	1	Fitting , 90 degree	
15	R024219	1	Fitting , FCC internal	
16	R012030	1	Baffle , fuel	
17	91620025	2	Screw , self-tapping, baffle/harness retaining	
18	R047241	2	O'Ring , FCC bowl-to-head seal	
19	R088004	1	Regulator , fuel pressure	
20	R048070	1	Retainer , fuel pressure regulator	
21	R045098B	1	Hose , FCC internal fuel	
22	R127087	2	Clamp , Oeticker	
23	RA080027	1	Pump , FCC high pressure fuel	
24	R080026	1	Filter , FCC	
25	R171010	1	Clamp , FCC bowl-to-head retaining	
26	R128002	1	Cover , FCC clamp T-bolt	
27	R127102	1	U-Bolt , low pressure fuel pump retaining	
28	95004300	2	Nut , Nylock, low-pressure fuel pump retaining	
29	RS3554	1	Plug , FCC drain	
30	R047252	2	O'Ring , LPFP seal	
31	RA080032	1	Fuel Pump , low-pressure	
32	R094045	1	Isolator , LPFP mounting	
33	R169064	AR	Shim , LPFP mounting, 11 gage	
33	R169064A	AR	Shim , LPFP mounting, 16 gage	
33	R169064B	AR	Shim , LPFP mounting, 22 gage	
34	R024230	1	Fitting , LPFP to 1/2" Hose barb	
34A	R024231	1	Fitting , LPFP to 8-JIC	22-810-XX, 22-810V-XX
34B	R024241	1	Fitting , LPFP to -6 NPTF	23-811-XX, 23-810-XX, 23-810V-XX
35	R047251	1	O'Ring , seal (p/o item 34)	
NI	RP080026	1	Kit, Filter and O-Rings , FCC	
<p>IMPORTANT: O-rings specified above are specifically rated for fuel system use. DO NOT substitute O-rings. After installation of an O-ring, always lubricate O-rings with O-ring lubricant, specified for fuel use, prior to assembly.</p>				

RETURNLESS FUEL SYSTEM COMPONENTS - SN 670001 through 671343 - FIGURE 11

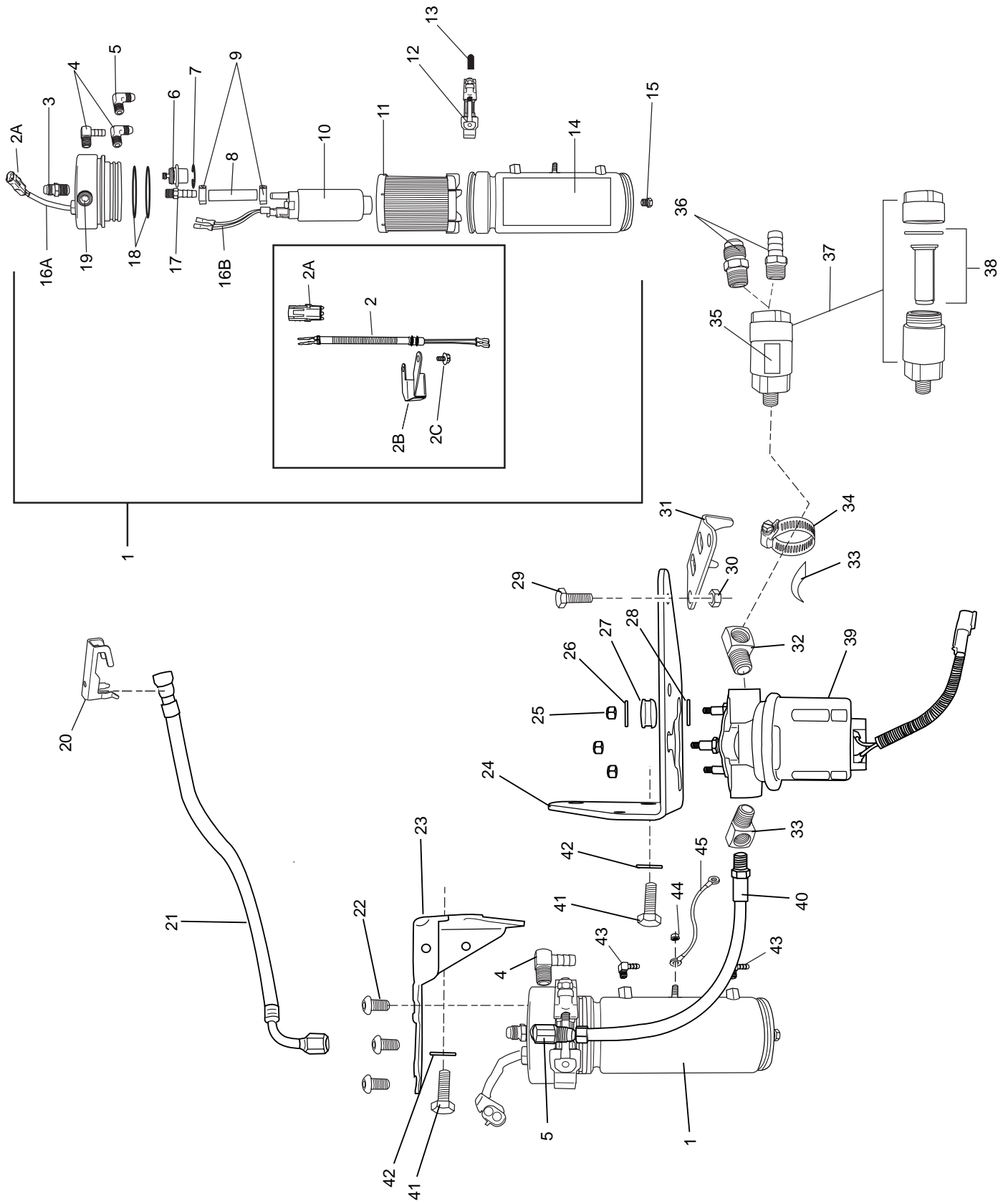


PC81007_07rtnlss

RETURNLESS FUEL SYSTEM COMPONENTS - SN 670001 through 671343 - FIGURE 11

ITEM	PART NO.	QTY.	DESCRIPTION	MODEL ID
				20-810-01, 20-810-02, 20-810V-01, 25-811-02, 25-810-02, 30-811-01, 50-811-(ALL), 50-811V-01, 50-810-(ALL), 50-810V-01
1	RA080030B	1	Fuel Control Cell Assembly	
2	R121085A	1	Harness , 1-piece, FCC pass through (1-piece harness does not retro fit for 2-piece harness)	
2A	7172040	1	Connector , W/P 2-way Female	
2B	R012030	1	Baffle , FCC used w/1-piece harness	
2C	91620025	2	Screw , self tapping, baffle/1-piece harness retaining	
3	R024175	1	Fitting , 1/4 NPT X SAE	
4	R024225	1	Fitting , 1/4 NPT to Hose (return to tank)	
4	R024224	AR	Fitting , 1/4 NPT to SAE (return to tank)	
5	R024163	1	Fitting , 1/4 NPT X SAE (from LPFP)	
6	R088004	1	Regulator , fuel pressure (FCC System Only)	
7	R048070	1	Retainer , fuel pressure regulator	
8	R045098B	1	Hose , 5/16id X 1/2od X 2 1/2	
9	R127087	2	Clamp , Oetiker, 5/8	
10	RA080027	1	Pump , high pressure fuel	
11	R080026	1	Filter , fuel (FCC)	
NI	RP080026	1	Kit , FCC filter and O-rings	
12	R171010	1	Clamp , FCC	
13	R128002	1	Cover , T-bolt end	
14	R143112A	1	Decal , FCC	
15	RS3554	1	Plug , pipe, hex head, 1/8	
16A	RA121060	1	Harness , FCC Feed through	
16B	RA121061A	1	Harness , FCC internal	
17	R024219	1	Fitting , 1/8 NPT X 5/16 Barb	
18	R047241	1	O-Ring , FCC sealing	
19	RS3550	1	Plug , pipe, hex socket, 1/4	
20	R127100	1	Retainer , fuel line	
21	RA085090	1	Hose Assembly , FCC to fuel rail (inlet)	
22	90384075	3	Bolt , FCC attaching	
23	R090227	1	Bracket , FCC mounting	
24	R090228A	1	Bracket , low-pressure fuel pump mounting	
25	RS1521L	3	Locking Nut , low-pressure fuel pump	
26	R096142	3	Washer , flat, mounting, upper	
27	R094035A	3	Grommet , isolator	
28	R096141	3	Washer , fuel pump mounting, lower	
29	RS0251	2	Bolt , pre-filter bracket attaching	
30	RS1078	2	Nut , w/lockwasher, pre-filter bracket attaching	
31	R090272	1	Bracket , pre-filter mounting	
32	R024192	2	Fitting , 90 degree, LPFP	
33	R094040	1	Isolator , rubber, w/ adhesive	
34	RS3858	1	Clamp , pre-filter 1 1/4"	

RETURNLESS FUEL SYSTEM COMPONENTS - SN 670001 through 671343 - FIGURE 11 (cont'd)

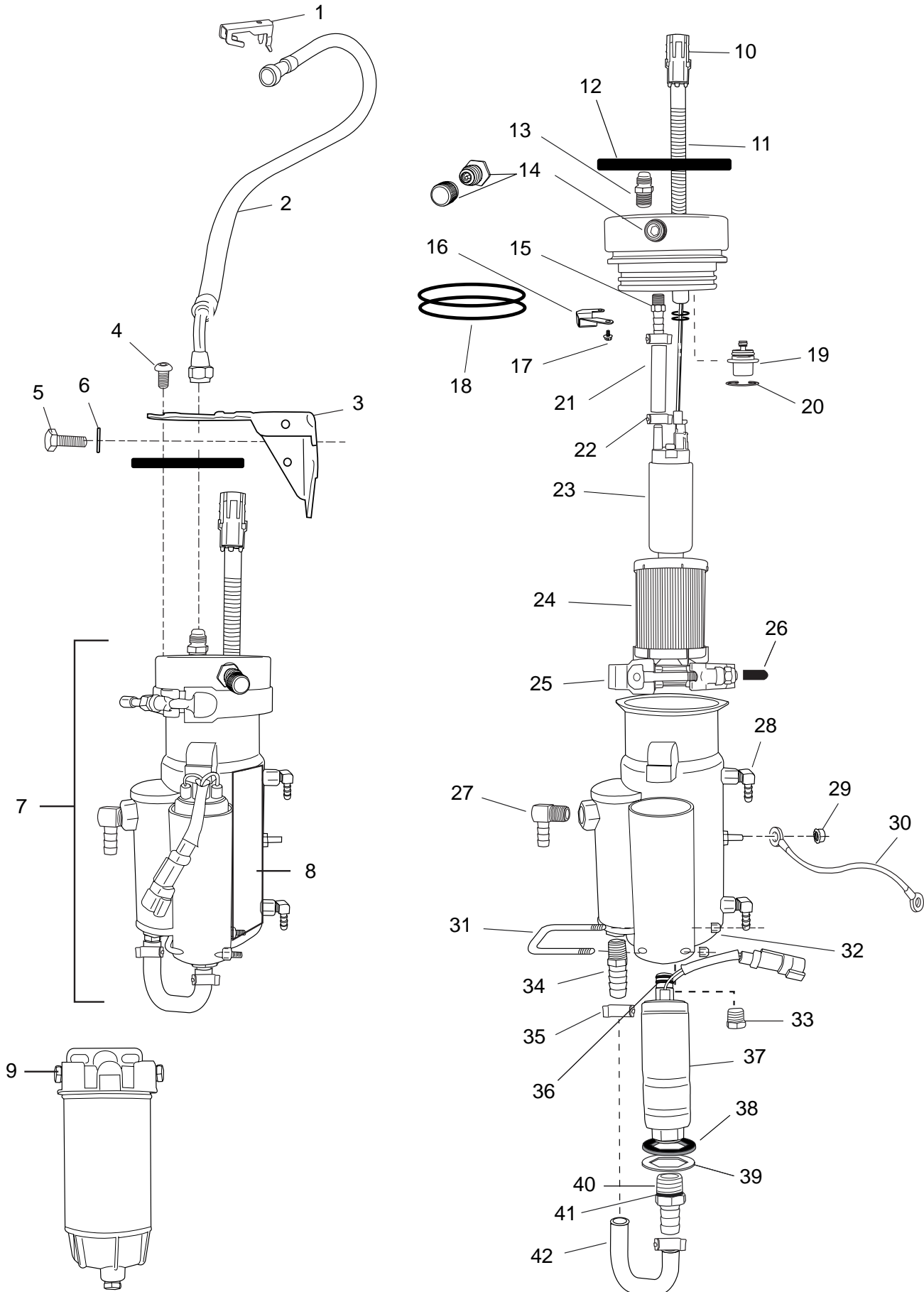


PC81007_07rtnlss

RETURNLESS FUEL SYSTEM COMPONENTS - SN 670001 through 671343 - FIGURE 11 (cont'd)

ITEM	PART NO.	QTY	DESCRIPTION	MODEL ID
				20-810-01, 20-810-02, 20-810V-01, 25-811-02, 25-810-02, 30-811-01, 50-811-(ALL), 50-811V-01, 50-810-(ALL), 50-810V-01
35	R143174	1	Decal , pre-filter	
36	30603	AR	Fitting , fuel inlet, pre-filter, 3/8 NPT X 1/2 SAE	
37	R024218	1	Fitting , fuel inlet, pre-filter, 3/8 NPT X 1/2 hose barb	
37	RA077014	1	Fuel Pre-filter Assembly, 150 micron	
38	RP077014	1	Kit , fuel filter and seal	
39	RA080018	1	Fuel Pump , low-pressure	
40	RA085070	1	Hose Assembly , low-pressure pump to FCC	
41	98443025	4	Bolt , FCC/LPFP bracket attaching, block	
42	93940000	4	Lockwasher , FCC/LPFP bracket attaching, block	
NI	R143114	1	Decal , Warning, fuel leaks	
43	R024055	2	Fitting , 90 degree, to hose	
44	RS1078	1	Nut , KEPS, ground wire attaching	
45	R101013A	1	Wire , grounding	

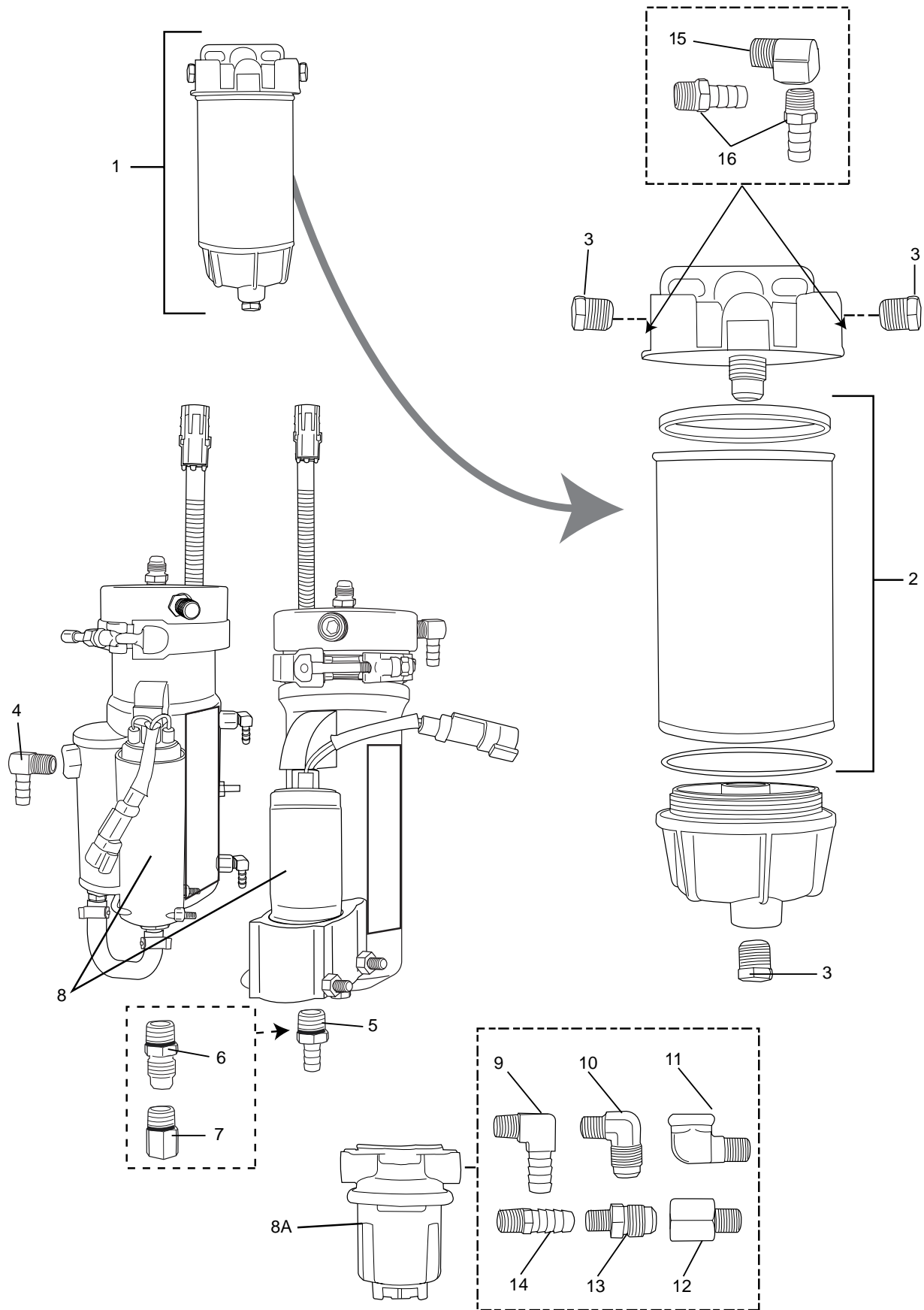
RETURNLESS FUEL SYSTEM COMPONENTS (SN 671344 and above) - FIGURE 12



RETURNLESS FUEL SYSTEM COMPONENTS (SN 671344 and above) - FIGURE 12

ITEM	PART NO.	QTY.	DESCRIPTION	MODEL ID
				20-810-01, 20-810-02, 20-810V-01, 25-811-02, 25-810-02, 30-811-01, 50-811-(ALL), 50-811V-01, 50-810-(ALL), 50-810V-01
1	R127100	2	Locking Clip , fuel line	
2	RA085090	1	Hose Assembly , FCC to fuel rail (inlet)	
3	R090227	1	Bracket , FCC mounting	
NI	R143114	1	Decal , Warning, fuel leaks	
4	90384100	3	Bolt , FCC mounting	
5	98443025	2	Bolt , FCC mounting bracket	
6	93940000	2	Lockwasher , FCC mounting bracket	
7	RA080035A	1	FCC Assembly	
8	R143112C	1	Decal , FCC	
9	RA080033	1	Filter Assembly , primary fuel (See Figure xx)	
10	7172040	1	Connector , W/P 2-Way Female	
11	R1210085A	1	Harness , 1 piece, FCC high pressure fuel pump	
12	R062091	1	Isolator , FCC mounting	
13	R024175	1	Fitting , FCC head (fuel supply line)	
14	RS3550	2	Plug , FCC head	
14	RA035042	1	Valve , Schrader	
NI	R143188	1	Decal , schrader valve	
15	R024219	1	Fitting , FCC internal	
16	R012030	1	Baffle , fuel	
17	91620025	2	Screw , self-tapping, baffle/harness retaining	
18	R047241	2	O'Ring , FCC bowl-to-head seal	
19	R088004	1	Regulator , fuel pressure	
20	R048070	1	Retainer , fuel pressure regulator	
21	R045098B	1	Hose , FCC internal fuel	
22	R127087	2	Clamp , Oeticker	
23	RA080027	1	Pump , FCC high pressure fuel	
24	R080026	1	Filter , FCC	
25	R171010	1	Clamp , FCC bowl-to-head retaining	
26	R128002	1	Cover , FCC clamp T-bolt	
27	R024242	2	Fitting , 90 degree, 3/8 NPT X 1/2" hose	
28	R024055	2	Fitting , 90 degree, 1/8 NPT X 1/4" hose	
29	R101013	2	Bonding , wire	
30	RS1078	2	Nut , KEPS, bonding wire retaining	
31	R127102	1	U-Bolt , low pressure fuel pump retaining	
32	95004300	2	Nut , Nylock, low-pressure fuel pump retaining	
33	RS3554	1	Plug , FCC drain	
34	30632	1	Fitting , straight	
35	R127087D	2	Clamp , Oeticker	
36	R047252	2	O'Ring , LPFP seal	
37	RA080032	1	Fuel Pump , low-pressure	
38	R094045	1	Isolator , LPFP mounting	
39	R169064	AR	Shim , LPFP mounting, 11 gage	
39	R169064A	AR	Shim , LPFP mounting, 16 gage	
39	R169064B	AR	Shim , LPFP mounting, 22 gage	
40	R024230	1	Fitting , LPFP to 1/2" Hose barb	
41	R047251	1	O'Ring , seal (p/o item 40)	
42	R045177	1	Hose , reservoir to LPFP input	
NI	RP080026	1	Kit, Filter and O-Rings , FCC	

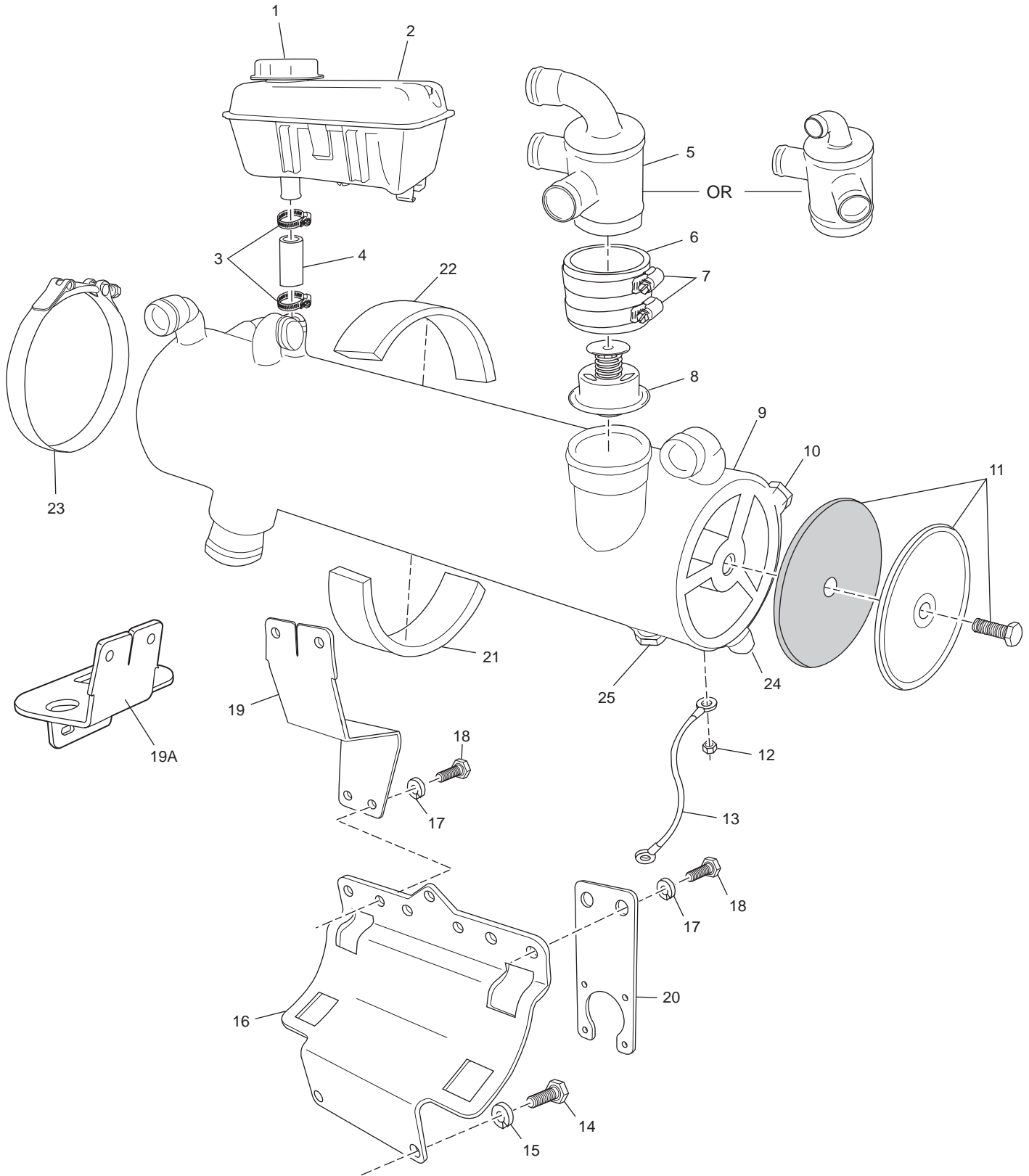
OPTIONAL - FUEL/WATER SEPARATOR COMPONENTS - FIGURE 13



OPTIONAL - FUEL/WATER SEPARATOR COMPONENTS - FIGURE 13

ITEM	PART NO.	QTY	DESCRIPTION	MODEL ID
1	RA080033	1	Fuel / Water Separator Assembly	
2	R080033	AR	Filter and Seals	
3	RS3557	3	Plug , 3/8 NPT brass	
4	R024242	1	Fitting , 90 degree, 3/8 NPT X 1/2" hose	
5	R024230	1	Fitting , LPFP to 1/2" hose	
6	R024231	AR	Fitting , LPFP to 8-JIC	22-810-XX, 22-810V-XX
7	R024241	AR	Fitting , LPFP to -6 NPTF	23-811-XX, 23-811V-XX, 23-810V-XX
8	RA080032	-	Fuel Pump , Low Pressure - FCC mounted	
8A	RA080018	-	Fuel Pump , Low Pressure - Remote mounted	
9	R024207	AR	Fitting , Elbow, 1/4 NPT X 1/2 hose	
10	R024201	AR	Fitting , Elbow, 1/4 NPT X 1/2 SAE	
11	R024236	AR	Fitting , Elbow, 1/4 NPT (male) X 3/8 NPT (female)	
12	R024235	AR	Fitting , Straight, 1/4 NPT (male) X 3/8 NPT (female)	
13	R024227	AR	Fitting , Straight, 1/4 NPT X 1/2 SAE	
14	30632	AR	Fitting , Straight, 1/4 NPT X 1/2 hose	
15	30646	AR	Fitting , Elbow, 3/8 NPT (male) X 3/8 NPT (female)	
16	R024218	AR	Fitting , Straight, 3/8 NPT X 1/2 hose	
NI	RK080033	AR	Fuel / Water Separator Kit , (includes items 1,9, 14, 15, and 16)	

HEAT EXCHANGER and COMPONENTS - FIGURE 14

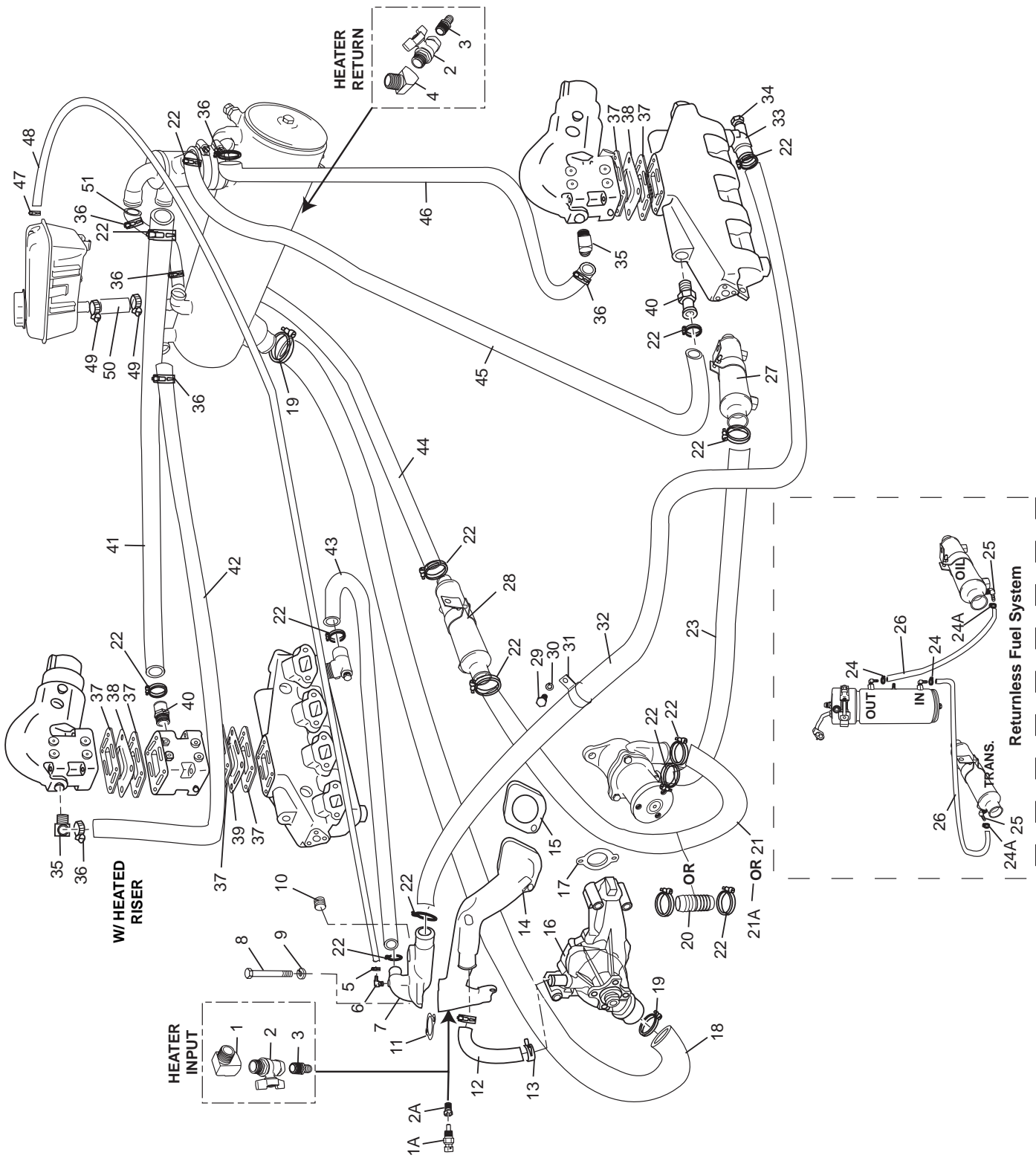


PC81009-C06

HEAT EXCHANGER and COMPONENTS - FIGURE 14

ITEM	PART NO.	QTY	DESCRIPTION	MODEL ID
1	R034045	1	Cap , degas bottle	
2	R146001	1	Bottle , degas	
NI	R143172	AR	Decal , specification, 8.1 STD, FCC	
NI	R143172B	AR	Decal , specification, 8.1 STD, returnless fuel system	20-810-01, 20-810-02, 20-810V-01, 25-810-02, 50-810-(ALL), 50-810V-01
NI	R143173	AR	Decal , specification, 8.1 HO, FCC	
NI	R143173B	AR	Decal , specification, 8.1 HO, returnless fuel system	25-811-02, 30-811-01, 50-811-(ALL), 50-811V-01
NI	R143153	1	Decal , coolant fill	
3	RS3854	2	Clamp , hose	
4	R045153	1	Hose , degas bottle to heat exchanger	
4	R045161	1	Hose , degas bottle to heat exchanger, v-drive	07-811V-01
5	R025027A	1	Housing , thermostat	
5	R025027B	1	Housing , thermostat	07-811V-01
6	R045162	1	Hose , thermostat housing	
7	RS3860	2	Clamp , thermostat housing	
8	R026007	1	Thermostat , 170°F	
9	RA147039B	1	Heat Exchanger Assembly	
10	R168005	1	Anode , sacrificial zinc	
11	23540	AR	End Cap Kit , heat exchanger	
12	RS1078	1	Nut , ground wire stud	
13	R101013	1	Wire , grounding	
14	RS0304	2	Bolt , heat exchanger bracket attaching	
15	RS2180	2	Lockwasher , heat exchanger bracket attaching	
16	R090258	1	Bracket , heat exchanger	
17	RS2179	4	Lockwasher , bracket attaching	
18	98333020	4	Bolt , bracket attaching	
19	R090311	1	Bracket , degas bottle	
19A	R090322	1	Bracket , degas bottle, v-drive	07-811V-01
20	R090291	1	Bracket , 10-pin connector	
21	R094040	2	Isolator , rubber w/adhesive, bottom	
22	R094041	2	Isolator , rubber, top	
23	R171009	2	Clamp , heat exchanger	
24	RS3552	1	Plug , raw water drain (1/4")	
25	RS3557	1	Plug , fresh water drain (3/8")	
NI	23627	1	Decal , Anode	
NI	22847	1	Decal , Caution No Step	
NI	23657	1	Decal , heat exchanger	
NI	R143156	1	Decal , raw water drain	
NI	R143257	1	Decal , fresh water drain	
NI	R143158	1	Decal , "Ultra Low Emmissions"	
NI	R143184-07	1	Decal , Emissions MY '07 (8.1L STD)	xx-810x-xx
NI	R143185-07	1	Decal , Emissions MY '07 (8.1L HO)	xx-811x-xx
NI	R143168-07	1	Decal , Emissions MY '07 (8.1L HO)	07-811V-01

FRESH WATER COOLING SYSTEM COMPONENTS - FIGURE 15

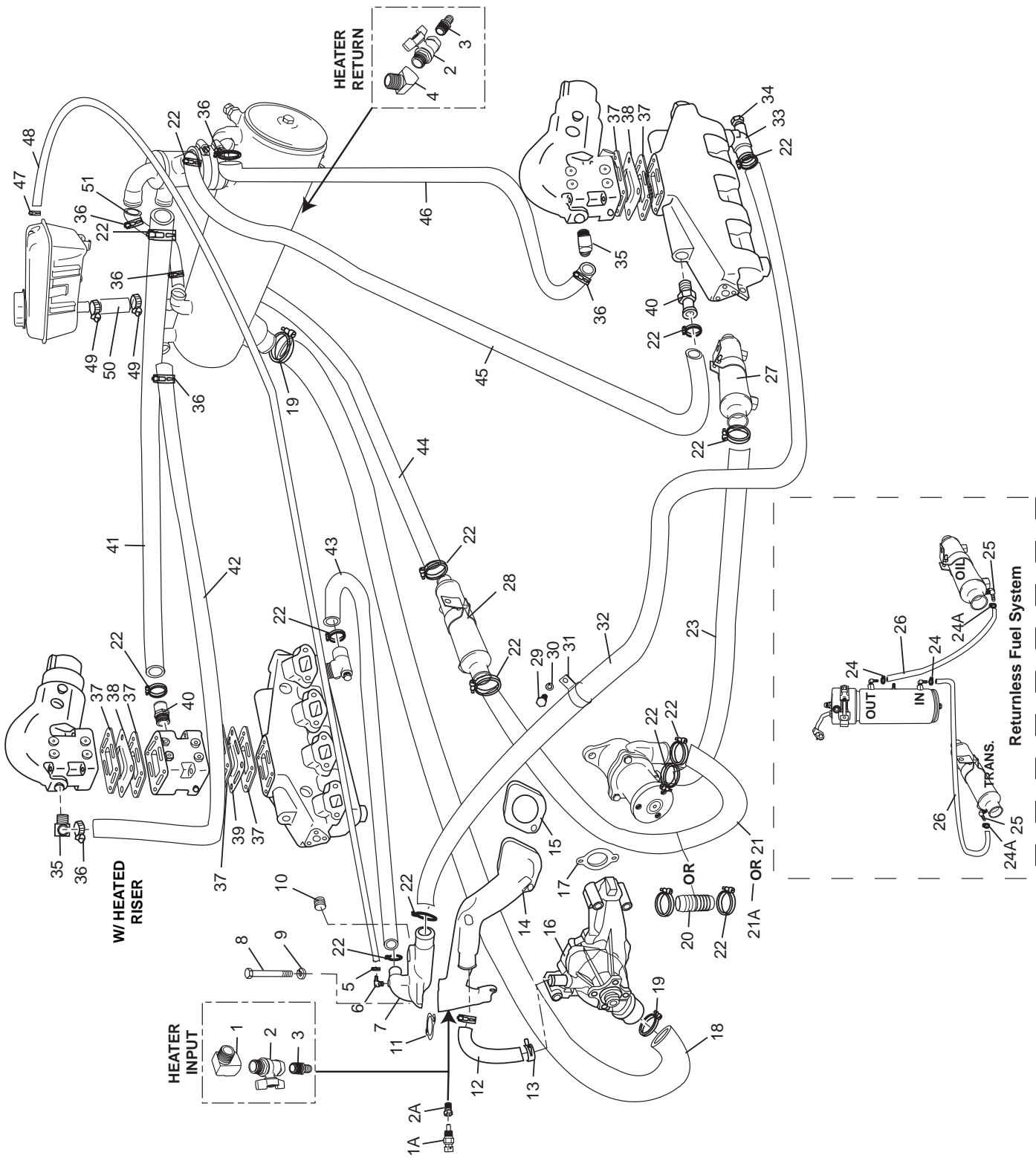


PC81010A_07

FRESH WATER COOLING SYSTEM COMPONENTS - FIGURE 15

ITEM	PART NO.	QTY.	DESCRIPTION	MODEL ID
1	R024139	1	Fitting , 90°, heater applications	22-810-01, 22-810-02, 22-810V-01
1A	R020019	1	Sensor , Engine Coolant Temperature	
2	R035039	2	Valve , ball, heater applications	22-810-01, 22-810-02, 22-810V-01
2A	RS3681	1	Bushing , 1/2 NPT X 3/8 NPT	
3	30645	2	Fitting , 5/8" nipple, heater applications	22-810-01, 22-810-02, 22-810V-01
4	R024209	1	Fitting , 45°, heater applications	22-810-01, 22-810-02, 22-810V-01
5	RS3870	1	Clamp , hose	
6	R024055	1	Fitting , fill riser (90 degree)	
7	R025030	1	Housing , coolant distribution	
8	98443045	2	Bolt , distribution housing attaching	
9	93940000	2	Lockwasher , distribution housing attaching	
10	RS3551	1	Plug , distribution housing	
10	R020019	1	Sensor , Engine Coolant Temperature	22-810-01, 22-810-02, 22-810V-01
11	RM0121	1	Gasket , distribution housing to water crossover	
12	R045116A	1	Hose , circulation pump to water crossover	
13	RS3864	2	Clamp , hose	
14	R025034	1	Water Crossover	
15	RM0268	1	Gasket , water crossover	
16	RA057030	1	Water Pump Assembly	
17	RM0266	2	Gasket , water pump to engine block	
18	R045126A	1	Hose , circulation pump to exchanger	
19	RS3852	2	Clamp , hose (#28)	
20	R024221	1	Fitting , 1 1/4" union	07-811V-01
21	18402	1	Hose , raw water pump to transmission cooler	
21A	R045137	1	Hose , raw water pump to transmission cooler (cut to fit)	07-811V-01
22	RS3858	18	Clamp , hose (#20)	
23	R045171	1	Hose , raw water pump to oil cooler	
24	RS3870	2	Clamp , hose (1/4")	20-810-01, 20-810-02, 20-810V-01, 25-811-02, 25-810-02, 30-811-01, 50-811-(ALL), 50-811V-01, 50-810-(ALL), 50-810V-01
24A	R127087A	2	Clamp , Oetiker (1/2")	20-810-01, 20-810-02, 20-810V-01, 25-811-02, 25-810-02, 30-811-01, 50-811-(ALL), 50-811V-01, 50-810-(ALL), 50-810V-01
25	R024055	2	Fitting , 1/8 NPT X 1/4 hose barb	20-810-01, 20-810-02, 20-810V-01, 25-811-02, 25-810-02, 30-811-01, 50-811-(ALL), 50-811V-01, 50-810-(ALL), 50-810V-01
26	R045132	AR	Hose , fuel cooler to oil cooler	20-810-01, 20-810-02, 20-810V-01, 25-811-02, 25-810-02, 30-811-01, 50-811-(ALL), 50-811V-01, 50-810-(ALL), 50-810V-01
27	R1470049	1	Oil Cooler Assembly	
28	R1470006	1	Transmission Cooler Assembly	
29	98223016	1	Bolt , strap clamp attaching	
30	93920000	1	Lockwasher , strap clamp attaching	
31	R090082	1	Clamp , strap	
32	R045131	1	Hose , distribution housing to exhaust manifold (Port)	

FRESH WATER COOLING SYSTEM COMPONENTS - FIGURE 15 (cont'd)

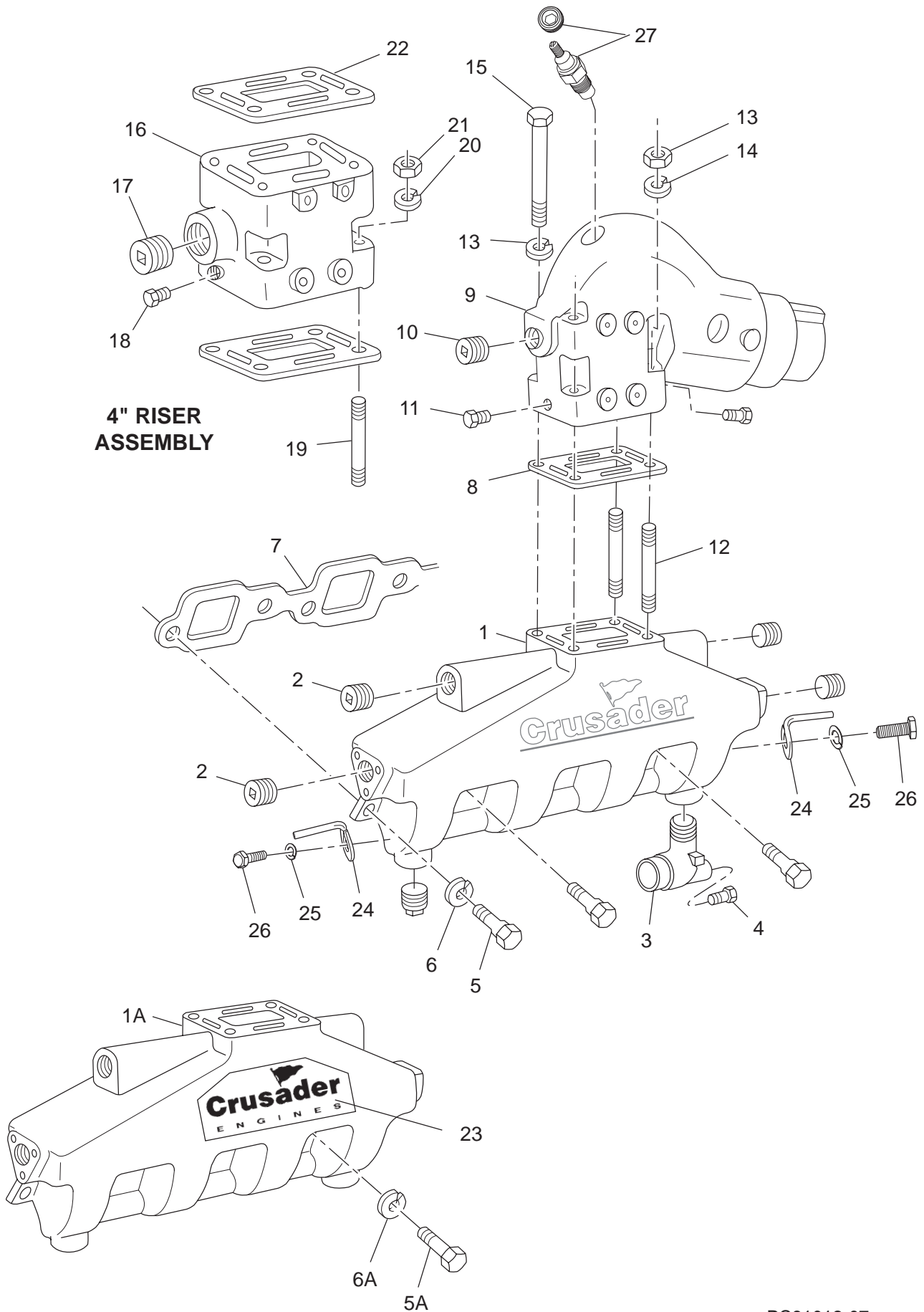


PC81010A_07

FRESH WATER COOLING SYSTEM COMPONENTS - FIGURE 15 (cont'd)

ITEM	PART NO.	QTY.	DESCRIPTION	MODEL ID
33	30624	2	Fitting , exhaust manifold (90 degree)	
34	RS3554	2	Plug , drain	
35	R024006A	2	Fitting , 90 degree	
36	RS3851	6	Clamp , hose (#16)	
37	98127	8	Gasket , elbow to riser / elbow to manifold / riser to manifold	
38	98124	2	Wing Plate , blockoff	
39	98124A	2	Wing Plate , pass thru	
40	97852	2	Fitting , exhaust manifold/riser (1 1/4" hose)	
41	R045167	1	Hose , tstat housing to exhaust manifold (STBD)	
41	18414	1	Hose , tstat housing to 4" riser (STBD)	
42	R045124	1	Hose , heat exchanger to exhaust elbow (STBD)	
42	R045124A	1	Hose , heat exchanger to exhaust elbow (STBD - vdrv)	
43	R045128	1	Hose , distribution housing to exhaust manifold (STBD)	
44	R045123	1	Hose , transmission cooler to exchanger	
45	R045170	1	Hose , tstat housing to exhaust manifold (Port)	
45	R045145A	1	Hose , tstat housing to 4" riser (Port)	
46	R045125	1	Hose , heat exchanger to exhaust elbow (Port)	
46	R045125A	1	Hose , heat exchanger to exhaust elbow (Port - vdrv)	
47	R127087	1	Clamp , Oeticker	
48	R045132	AR	Hose , bulk, degas bottle to distribution housing	
49	RS3854	2	Clamp , hose (#12)	
50	R045153	AR	Hose , bulk, degas bottle to heat exchanger (2")	
51	R045107	AR	Hose , bulk, bypass, tstat housing to heat exchanger (16")	
NI	R128001	AR	Cover , hose clamp end (blue)	

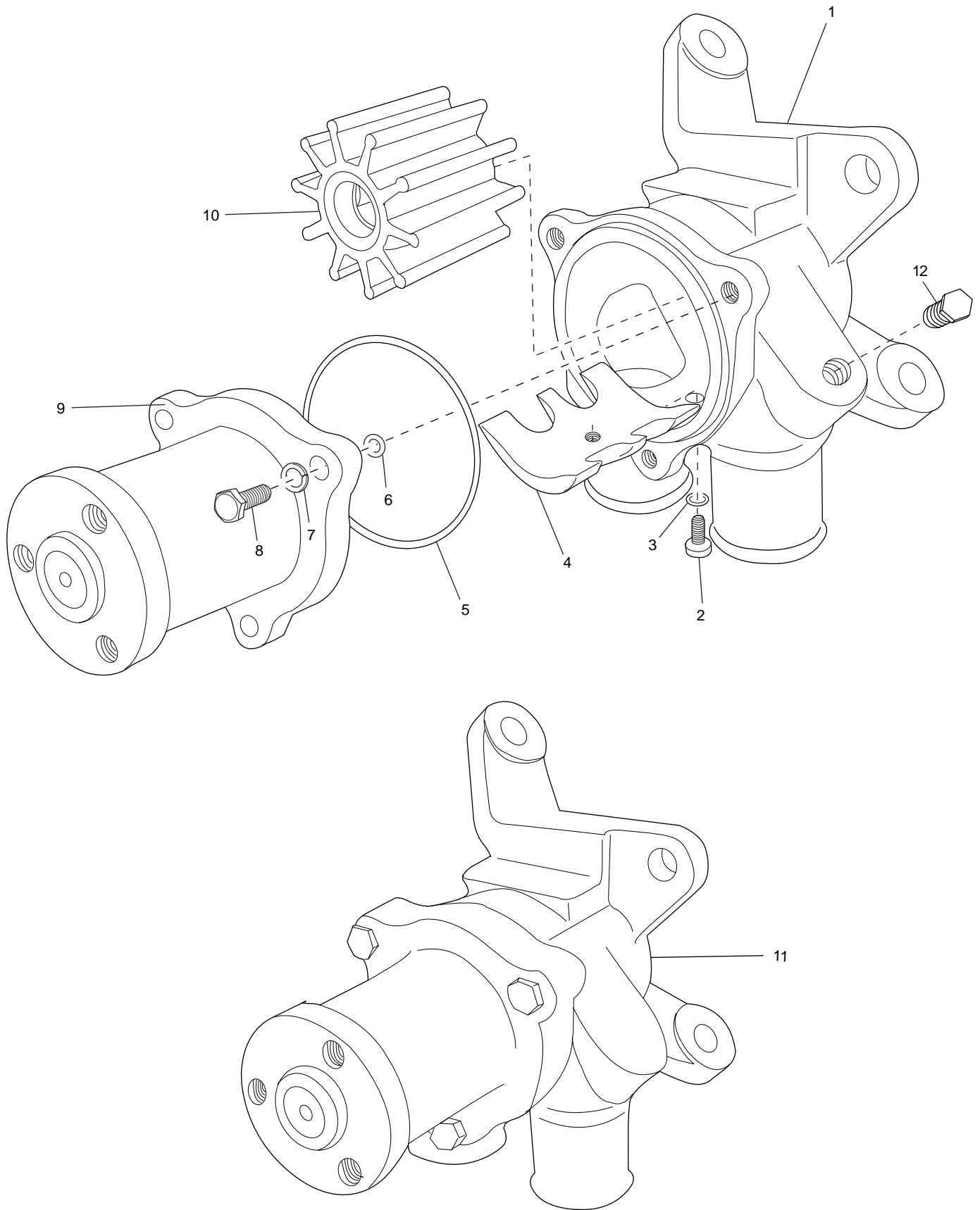
EXHAUST MANIFOLD and COMPONENTS - FIGURE 16



EXHAUST MANIFOLD and COMPONENTS - FIGURE 16

ITEM	PART NO.	QTY.	DESCRIPTION	MODEL ID
1	98125	2	Exhaust Manifold (Embossed Logo) (MUST use bolt R009206)	
1A	R028021	2	Exhaust Manifold (Picture Frame Logo)	
2	103876	8	Plug , exhaust manifold (1")	
3	30624	2	Fitting , water elbow (90 degree)	
4	RS3552	2	Plug , drain	
5	R009206	16	Shouldered Bolt , manifold (embossed)	
5A	98333035	16	Bolt , manifold (picture frame)	
6	RS2180	16	Lockwasher , manifold bolt (embossed)	
6A	93930000	16	Lockwasher , manifold bolt (picture frame)	
7	RM0294	2	Gasket , manifold to cylinder head	
8	98127	2	Gasket , manifold to exhaust elbow	
9	R029015	2	Exhaust Elbow Assembly ,	
10	RS3556	2	Plug , exhaust elbow (3/4")	
11	RS3554	4	Plug , drain	
12	20827	4	Stud , exhaust elbow attaching (T)	
13	93300000	8	Lockwasher , elbow attaching stud	
14	95300000	4	Nut , elbow attaching stud	
15	90305475	4	Bolt , exhaust elbow attaching (4 3/4")	
*	22818	1	4-Inch Riser Kit	
16	98128	2	Exhaust Riser	
17	RS3556	2	Plug , exhaust riser (3/4")	
18	RS3554	4	Plug , drain	
19	20783	8	Stud , riser mounting (2 3/4")	
20	93300000	8	Lockwasher , riser mounting stud	
21	95300000	8	Nut , riser mounting stud	
22	98127	4	Gasket , riser mounting	
23	R143129	2	Decal , exhaust manifold (picure frame)	
24	R096144	4	Bracket , spark plug wire loom	
25	RS0302	4	Lockwasher , attaching bolt	
26	RS2180	4	Bolt , wire loom attaching	
27	R020047	2	Switch , exhaust temperature	
27	RS3539	2	Plug , exhaust elbow	07-811V-01
<p>*NOTE: See Fresh Water Cooling section for parts used on Fresh Water Cooled engines.</p>				

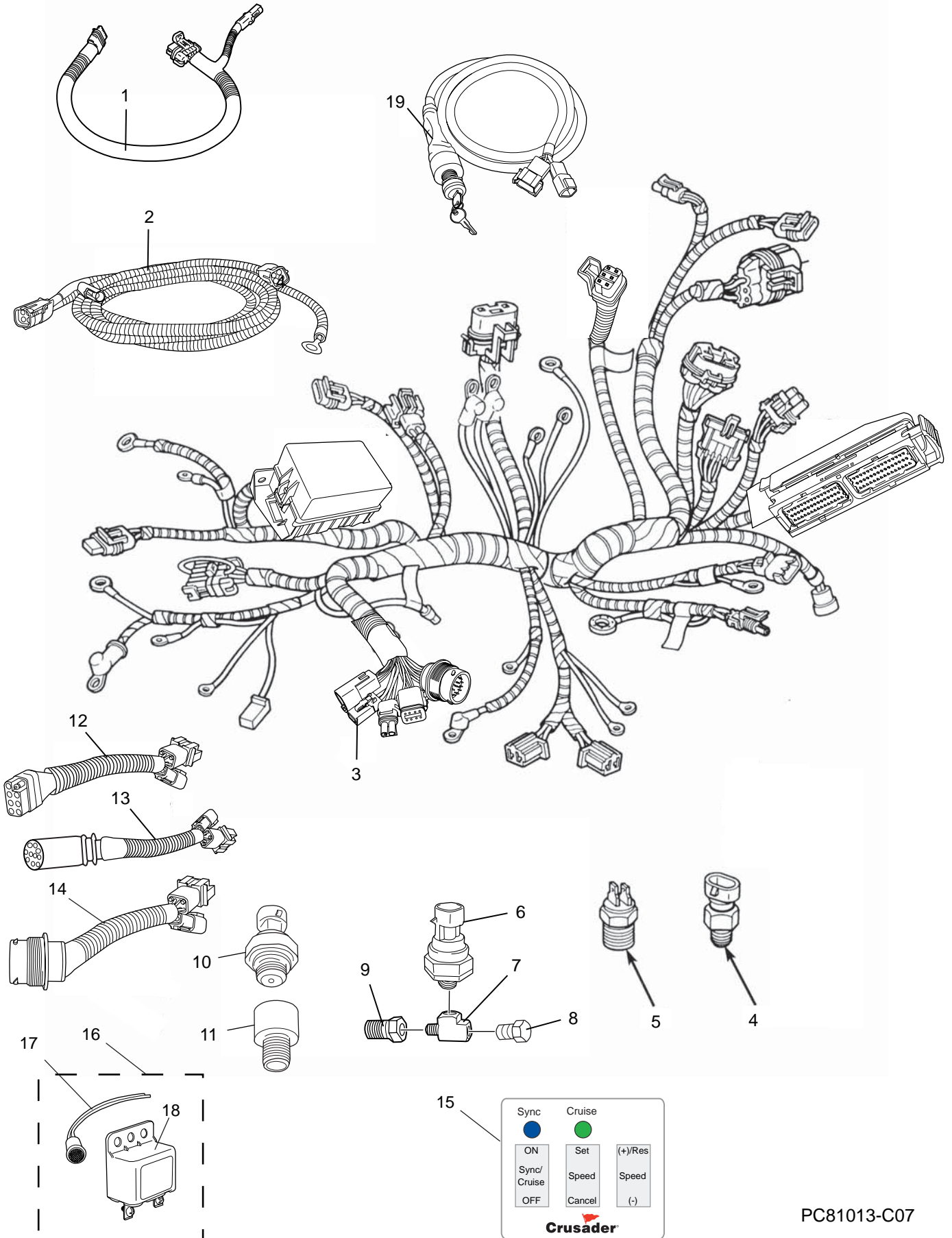
RAW WATER COOLING PUMP - FIGURE 17



RAW WATER COOLING PUMP - FIGURE 17

ITEM	PART NO.	QTY.	DESCRIPTION	MODEL ID
1	R057035	1	Housing , raw water pump	
2	R175056	1	Bolt , raw water pump cam	
3	R047254	1	O-ring , raw water pump cam	
4	R161018	1	Cam , raw water pump	
5	R047242	1	O-ring , bearing housing attaching	
6	R047243	3	O-ring , bearing housing attaching bolt	
7	TBD	3	Lockwasher , bearing housing attaching bolt	
8	TBD	3	Bolt , bearing housing attaching	
9	RA134071	1	Bearing Housing Assembly	
10	RP061022	1	Impeller Kit , (includes O-rings and impeller)	
11	RA057035	1	Raw Water Pump Assembly	
12	RS3554	1	Plug , brass 1/8 NPT	
NI	RF057026/35	AR	Raw Water Pump Retrofit Kit (retrofits this pump system on to a 2004 MY or prior engine)	

WIRING HARNESS ASSEMBLIES and SENDERS - FIGURE 18

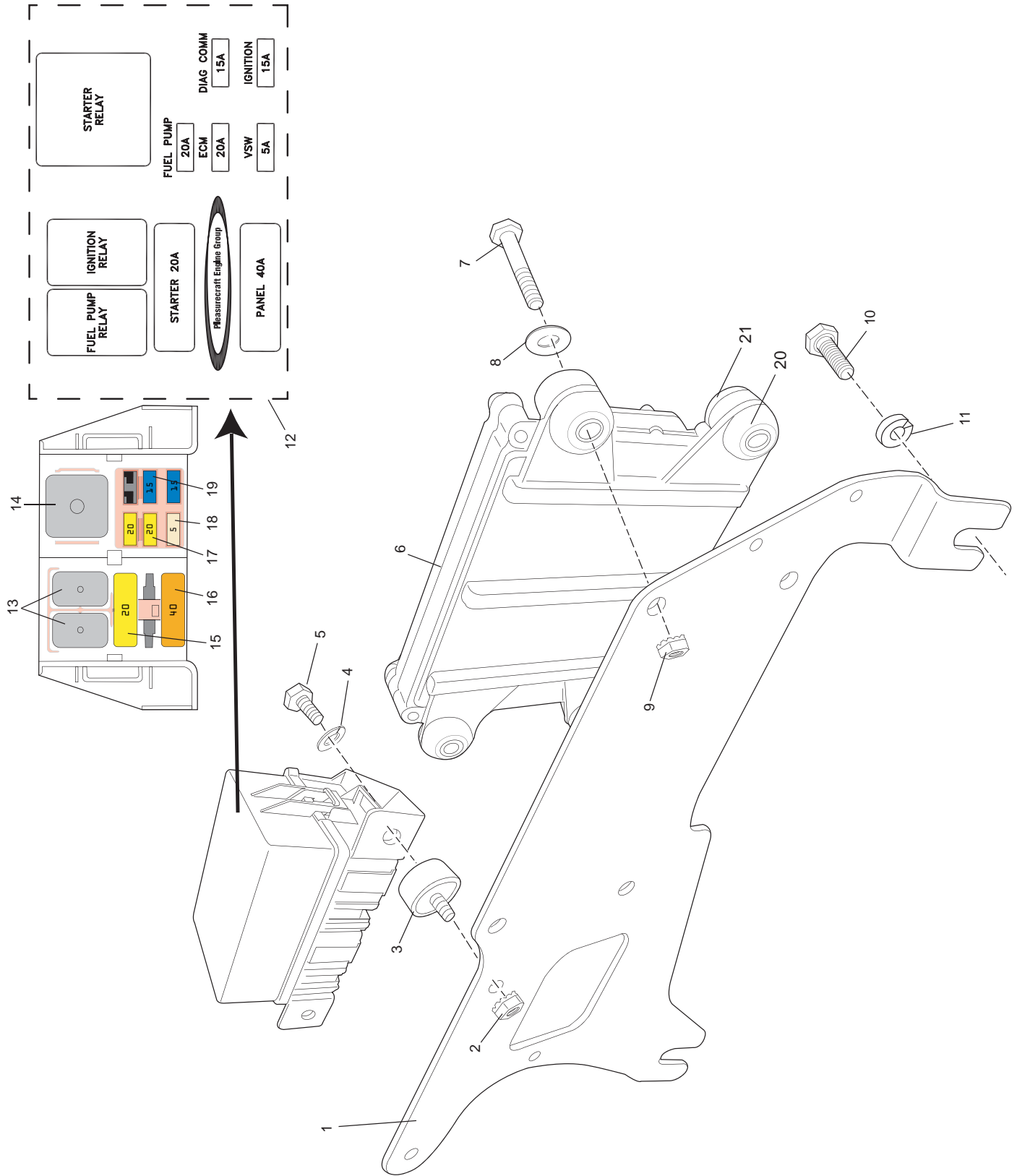


PC81013-C07

WIRING HARNESS ASSEMBLIES and SENDERS - FIGURE 18

ITEM	PART NO.	QTY.	DESCRIPTION	MODEL ID
1	R121086A	1	Harness , TCP-to-TAC	07-811V-01
2	RA121072C	AR	Harness , slave 6-pin connector (twin applications only)	
3	RA121089	1	Engine Wiring Harness Assembly (MY 2007)	
3	RA121084A	1	Engine Wiring Harness Assembly (MY 2006-07) (16-Pin Boat Harness Connector)	07-811V-01
4	R020019	1	Sensor , engine coolant temperature (ECT)	
5	R020037	1	Switch , transmission alarm	
6	R020049	1	Sender , oil pressure	
7	R024145	1	Tee , sender attaching	
8	RS3554	1	Plug , oil pressure sensor tee	
9	RS3677	1	Adapter , sender attaching tee	
10	R020048	1	Sensor , CAN BUS oil pressure	07-811V-01
11	R024223	1	Adapter , CAN BUS oil pressure sensor	07-811V-01
12	RA121094	AR	Harness , Adapter to 8-pin (female) boat harness	
NI	RA121094A	AR	Harness , Adapter to 8-pin (male) boat harness	
13	RA121093	AR	Harness , Adapter to 10-pin boat harness	
NI	RA121093A	AR	Harness , Adapter to 10-pin boat harness, w/VDO sensor leads	
14	RA121098	AR	Harness , Adapter to 14-pin boat harness	
15	RA152007	AR	Panel , switch (Sync/Cruise, Speed Control)	
NI	RF152007	AR	Kit , Sync/Cruise, Speed Control (includes Panel + 25 ft harness)	
16	RK179008	AR	Kit , Check Engine Lamp	
17	R179008	AR	Lamp , Check Engine	
18	20640	AR	Buzzer , Engine Warning	
NI	RA121092	AR	Harness , Engine to Dash, Un-Terminated (25 foot)	
NI	RA121092A	AR	Harness , Engine to Dash, Un-Terminated (45 foot)	
NI	RA121092B	AR	Harness , Engine to Dash, Terminated, 8-Pin (Female) (25 foot)	
NI	RA121092C	AR	Harness , Engine to Dash, Un-Term., w/VDO sensor leads(25 ft)	
NI	RA121091	AR	Harness , Speed Control, Engine to Panel (25 foot)	
NI	RA121091A	AR	Harness , Speed Control, Engine to Panel (45 foot)	
NI	RA121096-20	AR	Harness , Speed Control, Engine to Junction (20 foot)	
NI	RA121096-25	AR	Harness , Speed Control, Engine to Junction (25 foot)	
NI	RA121096-30	AR	Harness , Speed Control, Engine to Junction (30 foot)	
NI	RA121096-35	AR	Harness , Speed Control, Engine to Junction (35 foot)	
NI	RA121097-07	AR	Harness , Speed Control, Junction to Panel (7 foot)	
NI	RA121097-15	AR	Harness , Speed Control, Junction to Panel (15 foot)	
NI	RA121097-21	AR	Harness , Speed Control, Junction to Panel (21 foot)	
NI	RA121062D	1	Harness , fuel pump extension	07-811V-01
19	RT0091	AR	Harness , Test w/Key Switch	

ECM and RELAYS - FIGURE 19

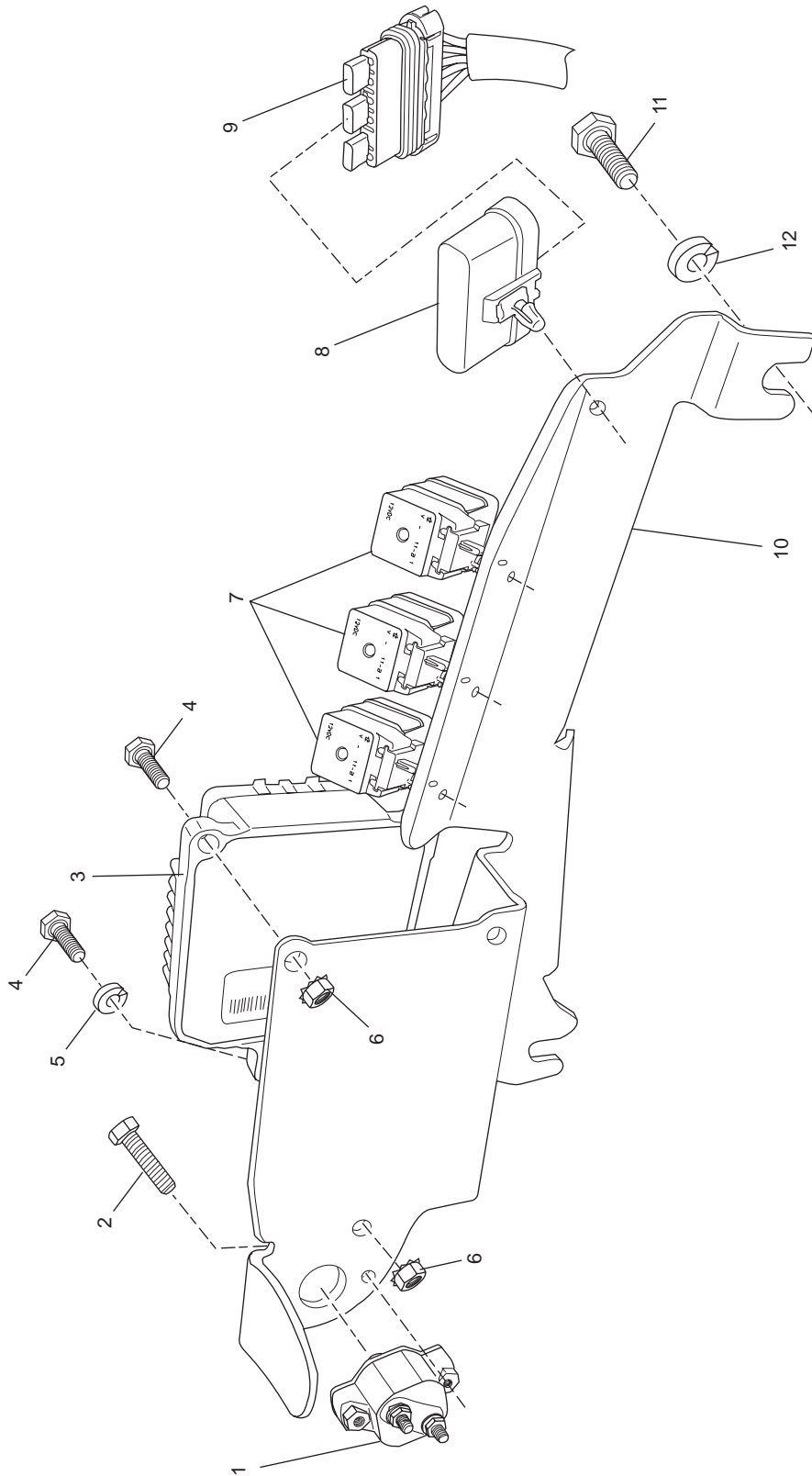


PC81014CR-C07

ECM and RELAYS - FIGURE 19

ITEM	PART NO.	QTY	DESCRIPTION	MODEL ID
1	R090310	1	Bracket , ECM/Relay	
2	RS1078	2	Nut , KEPS, Fuse Block attaching	
3	R094044	2	Isolator , fuse block mounting	
4	RS2178	2	Lockwasher , Isolator attaching	
5	RS0251	2	Bolt , Isolator attaching	
6	R116023 -5X01	1	Electronic Control Module (FCC, 8.1 - STD, SS)	22-810-XX, 22-810V-01, 23-810-XX, 23-810V-XX, 25-810-01, 26-810-01, 26-810V-01, 31-810-01, 50-810-05
6	R116023 -5X02	1	Electronic Control Module (FCC, 8.1 - STD, DS)	24-810V-XX
6	R116023 -5X03	1	Electronic Control Module (Rtnlss, 8.1 - STD, SS)	20-810-01, 20-810-02, 20-810V-01, 25-810-02, 50-810-01 thru -04, 50-810V-XX
6	R116023 -5X04	1	Electronic Control Module (Rtnlss, 8.1 - STD, DS)	
6	R116023 -5Z01	1	Electronic Control Module (FCC, 8.1 - HO, SS)	23-811-XX, 25-811-01, 31-811-01
6	R116023 -5Z02	1	Electronic Control Module (FCC, 8.1 - HO, DS)	32-811-01
6	R116023 -5Z03	1	Electronic Control Module (Rtnlss, 8.1 - HO, SS)	25-811-02, 30-811-01, 50-811-XX, 50-811V-XX
6	R116023 -5Z04	1	Electronic Control Module (Rtnlss, 8.1 - HO, DS)	
7	98223035	4	Bolt , ECM attaching	
8	RS2672	4	Flat washer , ECM attaching	
9	97220060	4	Nut , KEPS, ECM attaching	
10	98443025	2	Bolt , ECM/Relay bracket attaching	
11	93940000	2	Lockwasher , ECM/Relay bracket attaching	
12	R143186	1	Decal , main fuse box	
13	R130015	2	Relay , Fuel Pump and Ignition	
14	R130016	1	Relay , Starter	
15	R153019C	1	Fuse , Starter, 20 Amp	
16	R153019F	1	Fuse , Panel, 40 Amp	
17	R153017B	2	Fuses , 20 amp	
18	R153017A	2	Fuses , 15 amp	
19	R153017C	1	Fuse , 5 amp	
20	R094046	4	Isolator , ECM Mounting	
21	R176025	4	Sleeve , ECM Isolator Retaining	

MODEL 07-811V-01 ECM and RELAYS - FIGURE 20

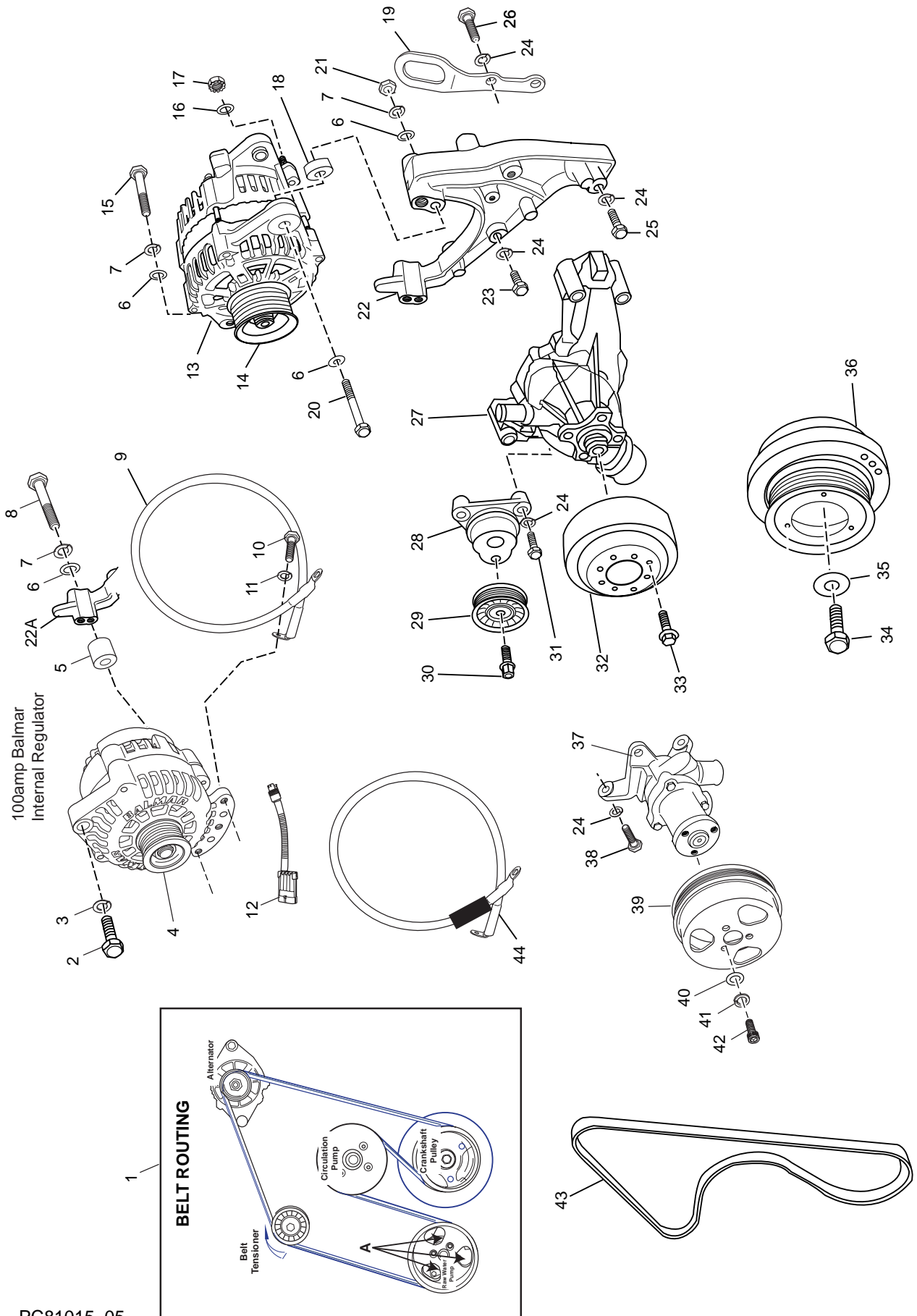


PC81014CR-CC

MODEL 07-811V-01 ECM and RELAYS - FIGURE 20

ITEM	PART NO.	QTY	DESCRIPTION	MODEL ID
1	R153006C	1	Circuit Breaker (60 amp)	07-811V-01
NI	R143176	1	Decal , Fuse Block	07-811V-01
NI	R143177	1	Decal , Main Circuit Breaker	07-811V-01
2	RS5084	2	Bolt , circuit breaker attaching	07-811V-01
3	R116021X	1	Electronic Control Module (ECM) cksum - 48445 (BD3D) 16-Pin Boat Harness Connector (HO MY 2006-'07) (single engine)	07-811V-01
3	R116021X-07T	1	Electronic Control Module (ECM) cksum - 47980 (BB6C) 16-Pin Boat Harness Connector (HO MY 2006-'07) (twin engine)	07-811V-01
4	RS0254	3	Bolt , ECM attaching	07-811V-01
5	92100000	1	Washer , ECM attaching	07-811V-01
6	RS1078	3	Nut , KEPS, ECM mounting	07-811V-01
7	R130011A	3	Relay , fuel pump, ignition, starter	07-811V-01
8	R126014	1	Cover , fuse holder	07-811V-01
9	R153017B	3	Fuses , 20 amp	07-811V-01
10	R090310	1	Bracket , ECM/Relay	07-811V-01
11	98443025	2	Bolt , ECM/Relay bracket attaching	07-811V-01
12	93940000	2	Lockwasher , ECM/Relay bracket attaching	07-811V-01

ACCESSORY DRIVE SYSTEM COMPONENTS - FIGURE 21

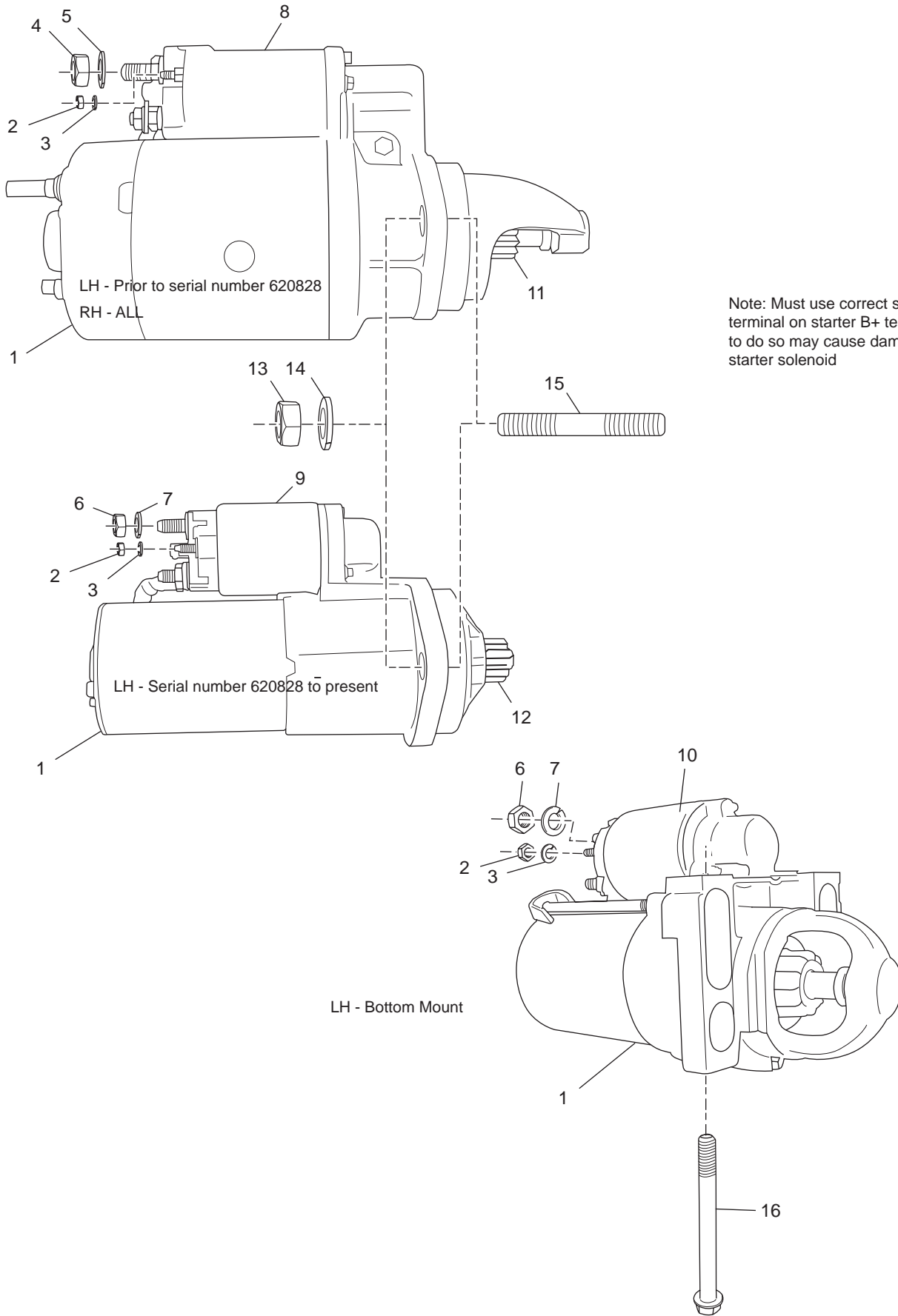


PC81015_05

ACCESSORY DRIVE SYSTEM COMPONENTS - FIGURE 21

ITEM	PART NO.	QTY.	DESCRIPTION	MODEL ID
1	R143136A	1	Decal , belt routing	
2	90505200	1	Bolt , mounting (100 amp alternator only)	22-810-01, 22-810-02, 22-810-03, 22-810V-01
3	93500000	1	Lockwasher , mounting (100 amp alternator only)	22-810-01, 22-810-02, 22-810-03, 22-810V-01
4	RA097010	1	Alternator Assembly , (100 amp)	22-810-01, 22-810-02, 22-810-03, 22-810V-01
5	R062082	1	Spacer , mounting (100 amp alternator only)	22-810-01, 22-810-02, 22-810-03, 22-810V-01
6	92930000	4	Washer , alternator attaching bolt	
7	93930000	3	Lockwasher , alternator attaching bolt	
8	98333075	1	Bolt , mounting (100 amp alternator only)	22-810-01, 22-810-02, 22-810-03, 22-810V-01
9	R101015	1	Cable , ground (70 amp)	
9	R101016	1	Cable , ground (100 amp)	22-810-01, 22-810-02, 22-810-03, 22-810V-01
10	98333025	1	Bolt , cable attaching (100 amp alternator only)	22-810-01, 22-810-02, 22-810-03, 22-810V-01
11	RS2179	1	Lockwasher , cable attaching (100 amp alternator only)	22-810-01, 22-810-02, 22-810-03, 22-810V-01
12	R121081	1	Harness , jumper, 100 amp alternator	
13	RA097007	1	Alternator Assembly , (70 amp)	
14	R065043	1	Pulley , alternator, 70A	
15	90205300	1	Bolt , alternator attaching (70 amp)	
16	RS2672	2	Washer , cable attaching (70 amp)	
17	97220060	2	Nut , KEPS, cable attaching (70 amp)	
18	R062081	1	Spacer , alternator mounting (70 amp)	
19	R042009	1	Bracket , lift	
20	98333110	1	Bolt , alternator attaching (70 amp)	
21	97330000	1	Nut , alternator mounting	
22	R090225	1	Bracket , alternator mounting (70 amp)	
22A	R090225A	1	Bracket , alternator mounting (100 amp)	22-810-01, 22-810-02, 22-810-03, 22-810V-01
23	98449040	1	Bolt , alternator bracket attaching (short)	
24	93940000	9	Lockwasher , bracket attaching	
25	98449055	1	Bolt , alternator bracket attaching bolt (long)	
26	98443025	2	Bolt , lift bracket attaching	
27	RA057030	1	Water Pump Assembly	
28	RA068001	1	Tensioner , belt	
29	R065057	1	Pulley , belt tensioner	
30	TBD	1	Bolt , tensioner pulley attaching	
31	98449050	2	Bolt , tensioner mounting	
32	R065044	1	Pulley , circulation pump	
33	TBD	4	Bolt , circ. pump pulley attaching	
34	TBD	1	Bolt , crankshaft balancer	
35	TBD	1	Washer , crankshaft balancer	
36	R064015	1	Balancer , crankshaft	
37	RA057035	1	Raw Water Pump Assembly	
38	98443030	3	Bolt , raw water pump mounting	
39	R065056	1	Pulley , raw water pump	
40	92934000	3	Washer , pulley mounting	
41	93934000	3	Lockwasher , pulley mounting	
42	99335016	3	Bolt , pulley pulley attaching	
43	R066024A	1	Belt , accessory drive	
44	R153018D	1	Cable , 100A Fuse Link, Alternator to Starter	

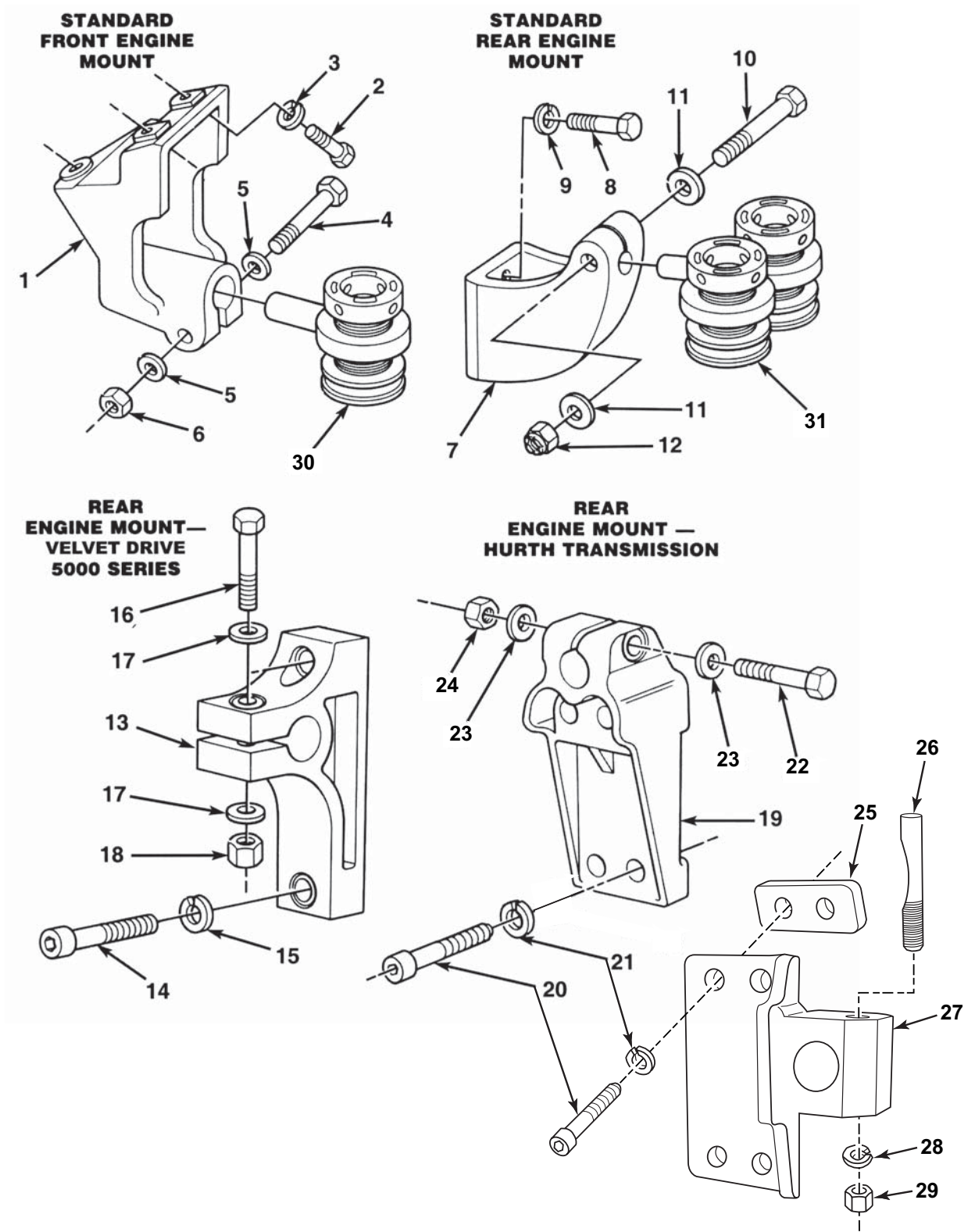
STARTER ASSEMBLY COMPONENTS - FIGURE 22



STARTER ASSEMBLY COMPONENTS - FIGURE 22

ITEM	PART NO.	QTY.	DESCRIPTION	QUANTITY
1	RA122009	1	Starter Motor Assembly (LH rotation)	
1	RA122015	1	Starter Motor Assembly (LH, bottom mount)	25-811-02, 25-810-02
2	RS7036	1	Nut , solenoid terminal	
3	93003000	1	Lockwasher , solenoid terminal	
4	RS7019	1	Nut , solenoid terminal	
5	RS7081	1	Lockwasher , solenoid terminal	
6	RS7018	1	Nut , solenoid terminal	
7	RS7080	1	Lockwasher , solenoid terminal	
8	RU0050	1	Solenoid Assembly , starter	
9	RU0050B	1	Solenoid Assembly , starter	
10	RU0050A	1	Solenoid , starter (bottom mount)	25-811-02, 25-810-02
11	RU0051	1	Drive Assembly , clutch (LH)	
12	TBD	1	Drive , starter	
13	RS1029	2	Nut , starter mounting	
14	RS2181	2	Lockwasher , starter mounting	
15	R031018	2	Stud , starter mounting	
16	R009203	2	Bolt , starter mounting	25-811-02, 25-810-02

ENGINE and TRANSMISSION MOUNTS - FIGURE 23



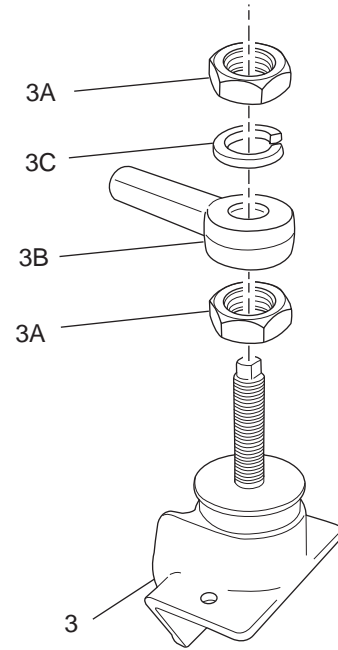
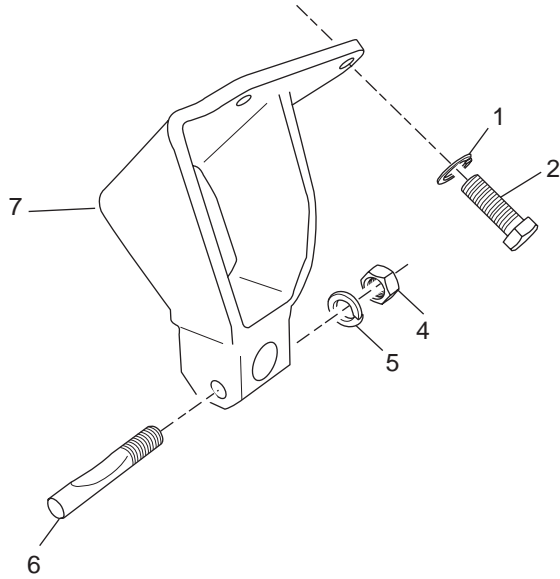
PC81017

ENGINE and TRANSMISSION MOUNTS - FIGURE 23

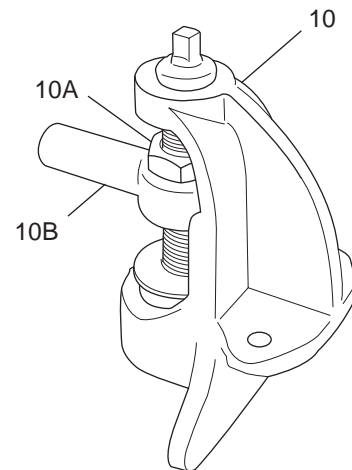
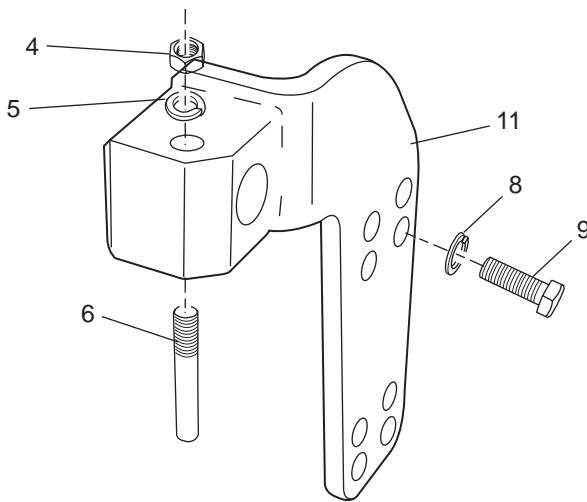
ITEM	PART NO.	QTY.	DESCRIPTION	QUANTITY
			Standard Front Engine Mount	
1	97938	2	Bracket , engine mounting (front)	
2	99443030	4	Bolt , socket head (30 mm)	
2	98446030	2	Bolt , hex head (30 mm)	
3	93940000	6	Lockwasher , bracket mounting bolt	
4	90318225	2	Bolt , trunnion shaft (2 1/4")	
5	92300000	4	Washer , trunnion bolt	
6	95310300	2	Nut , trunnion bolt - locking	
			Standard Rear Engine Mount	
7	97917	2	Bracket , engine mounting (Rear)	
8	RS0328	4	Bolt , bracket to transmission (1 1/4")	
9	RS2181	4	Lockwasher , bracket mounting bolt	
10	90318325	2	Bolt , trunnion shaft (3 1/4")	
11	92300000	4	Washer , trunnion bolt	
12	95310300	2	Nut , trunnion bolt - locking	
			Rear Engine Mount - Velvet Drive 5000 Series	
13	98224	1	Bracket , transmission mounting (Starboard)	
13	98225	1	Bracket , transmission mounting (Port)	
14	RS6336	4	Bolt , bracket to transmission (12 mm x 60 mm)	
15	RS7071	4	Lockwasher (12 mm)	
16	90318325	2	Bolt , trunnion shaft (3 1/4")	
17	92300000	4	Washer , trunnion bolt	
18	95310300	2	Nut , trunnion bolt - locking	
			Rear Engine Mount - Hurth Transmission	
19	98077	2	Bracket , engine mounting (rear)	
20	RS6331	4	Bolt , bracket to transmission (12 mm x 35 mm)	
20	RS6336	4	Bolt , bracket to transmission (12 mm x 60 mm)	
21	RS7071	8	Lockwasher (12 mm)	
22	90318325	2	Bolt , trunnion shaft (3 1/4")	
23	92300000	4	Washer , trunnion bolt	
24	95310300	2	Nut , trunnion bolt - locking	
25	R109049	2	Spacer , bracket to transmission	
26	R095020	2	Bolt , trunnion shaft	
27	R090217	1	Bracket , engine mounting (port)	
27	R090218	1	Bracket , engine mounting (starboard)	
28	RS2181	2	Lockwasher , trunnion bolt	
29	RS1529	2	Nut , trunnion bolt - locking	
			Mount Supports	
30	97926	2	Mount , engine support (single front)	
31	97905	2	Mount , engine support (dual rear)	

MODEL 07-811V-01 ENGINE and TRANSMISSION MOUNTS - FIGURE 24

OPTIONAL FRONT MOUNT



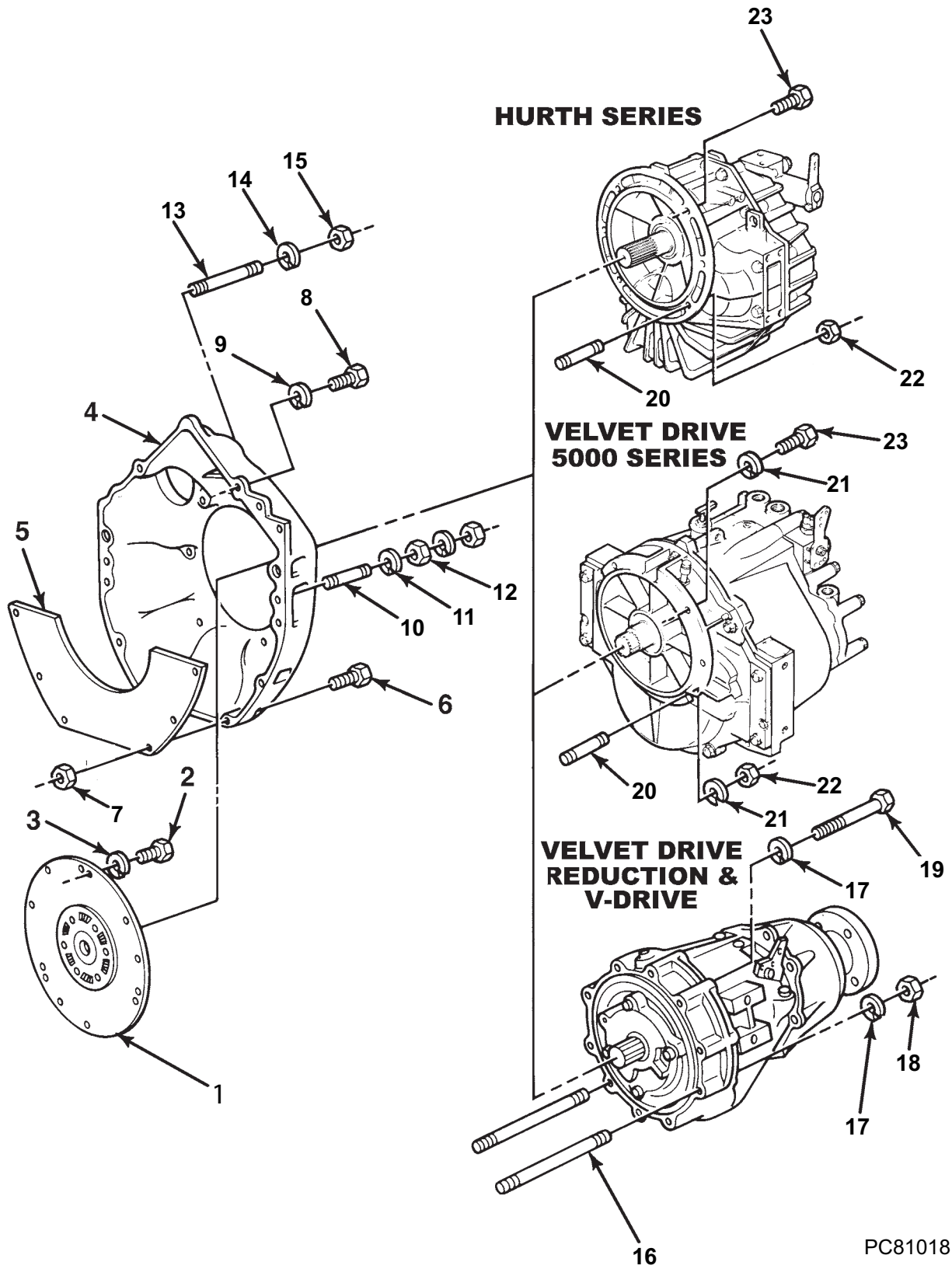
OPTIONAL REAR MOUNT - HURTH GEAR



MODEL 07-811V-01 ENGINE and TRANSMISSION MOUNTS - FIGURE 24

ITEM	PART NO.	QTY.	DESCRIPTION	QUANTITY
1	RS2180	6	Lockwasher , bracket mounting bolt	07-811V-01
2	RS0305	4	Bolt , socket head	07-811V-01
3	RC091001	2	Trunnion Assembly	07-811V-01
3A	RS1075	4	Nut , adjustment and lock	07-811V-01
3B	R091001	2	Trunnion, long	07-811V-01
3C	RS2186	2	Lockwasher , adjusting nut	07-811V-01
4	RS1529	2	Nut , trunnion bolt - locking	07-811V-01
5	RS2181	2	Lockwasher , trunnion bolt	07-811V-01
6	R095020	2	Bolt , trunnion shaft	07-811V-01
7	R090330	1	Bracket , engine mounting (front, port)	07-811V-01
7	R090331	1	Bracket , engine mounting (front, starboard)	07-811V-01
8	RS7071	8	Lockwasher (12 mm)	07-811V-01
9	RS6336	4	Bolt , bracket to transmission (12 mm x 60 mm)	07-811V-01
10	RA092011	2	Trunnion Assembly , tall	07-811V-01
10A	R091003	2	Trunnion , 2.5"	07-811V-01
10B	RS1075	2	Nut , adjustment and lock	07-811V-01
11	R090328	1	Bracket , engine mounting (rear - port)	07-811V-01
11	R090329	1	Bracket , engine mounting (rear - starboard)	07-811V-01

BELL HOUSING ASSEMBLY - FIGURE 25

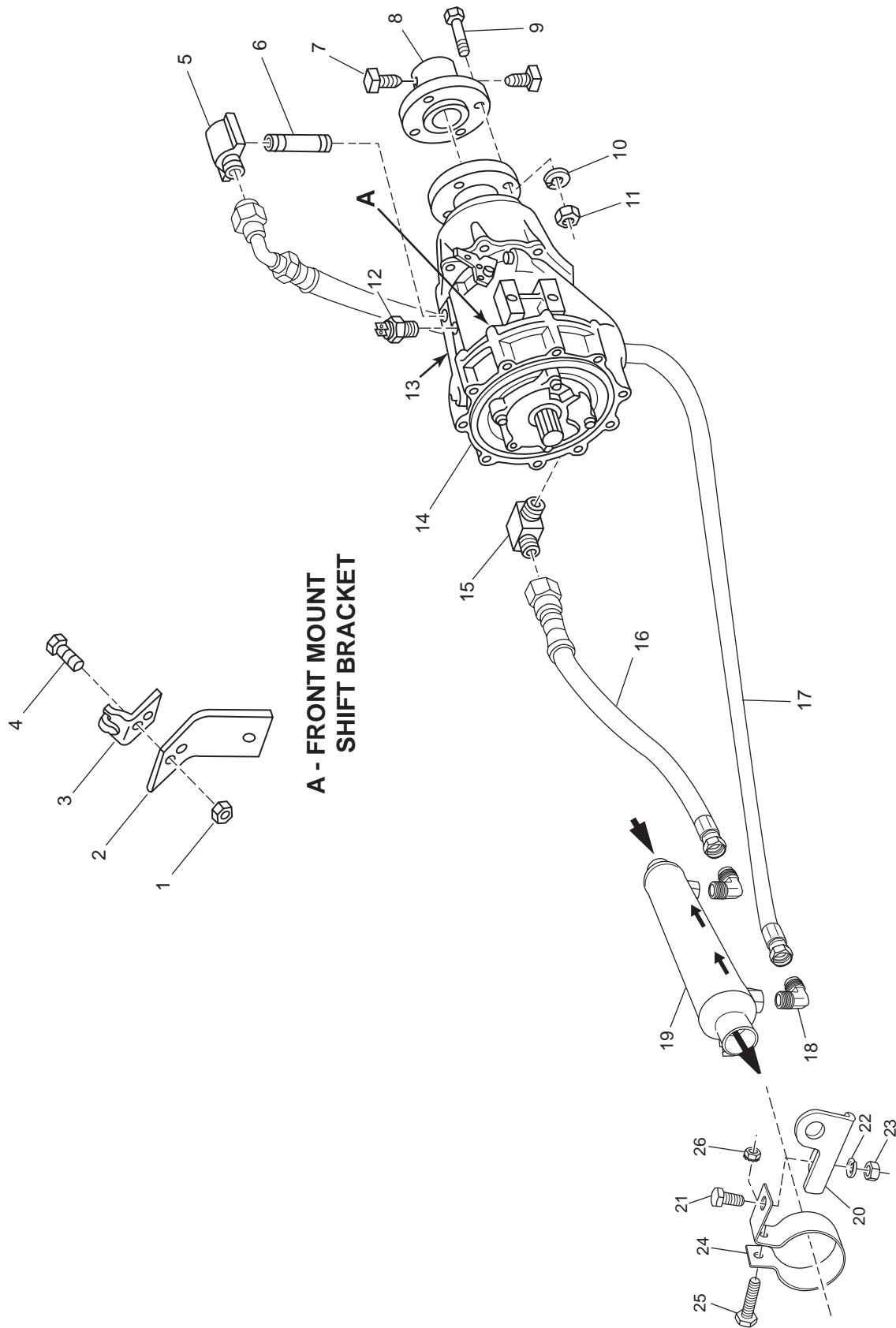


PC81018

BELL HOUSING ASSEMBLY - FIGURE 25

ITEM	PART NO.	QTY.	DESCRIPTION	QUANTITY
1	R140018	1	Drive Damper Assembly , (Hurth)	
1	98511	1	Drive Damper Assembly , (Standard Velvet Drive)	
2	98446030	6	Bolt , damper to flywheel (1")	
3	93940000	6	Lockwasher , damper bolt	
4	R142014	1	Bellhousing , flywheel	
5	R019008	1	Cover , bellhousing (use w/top mount starter)	
5	R019008A	1	Cover , bellhousing (use w/bottom mount starter)	25-811-02, 25-810-02
NI	R019010	1	Cover , top mount starter (used w/R019008A)	25-811-02, 25-810-02
NI	RS0327	2	Bolt , dust cover attaching	25-811-02, 25-810-02
NI	RS2181	2	Lockwasher , dust cover attaching	25-811-02, 25-810-02
6	RS0256	5	Bolt , cover to bellhousing (1")	
6	90105125	1	Bolt , cover to bellhousing (1 1/4")	
7	RS1078	6	Nut , cover bolt	
8	98443050	2	Bolt , bellhousing to block	
8	99443030	1	Bolt , SHCS (behind starter)	
9	93940000	2	Lockwasher , bellhousing bolt	
10	R031034	2	Stud , bellhousing mounting	
11	93940000	4	Lockwasher , mounting stud	
12	97440000	4	Nut , mounting stud	
13	R031018	2	Stud , starter mounting (1 5/8")	
14	RS2181	2	Lockwasher , starter mounting stud	
15	RS1029	2	Nut , starter mounting stud	
			Velvet Drive Reduction & "V"-Drive	
16	96541	2	Stud , transmission mounting (4")	
17	RS2181	6	Lockwasher , transmission mounting	
18	RS1029	2	Nut , transmission mounting stud	
19	RS0337	4	Bolt , transmission mounting	
			Velvet Drive 5000 & Hurth Gears	
20	R031018	2	Stud , transmission mounting (1 5/8")	
21	RS2180	6	Lockwasher , transmission mounting	
22	RS1029	2	Nut , transmission mounting stud	
23	RS0329	4	Bolt , transmission mounting	

TRANSMISSION AND RELATED COMPONENTS (VELVET DRIVE IN-LINE) - FIGURE 26

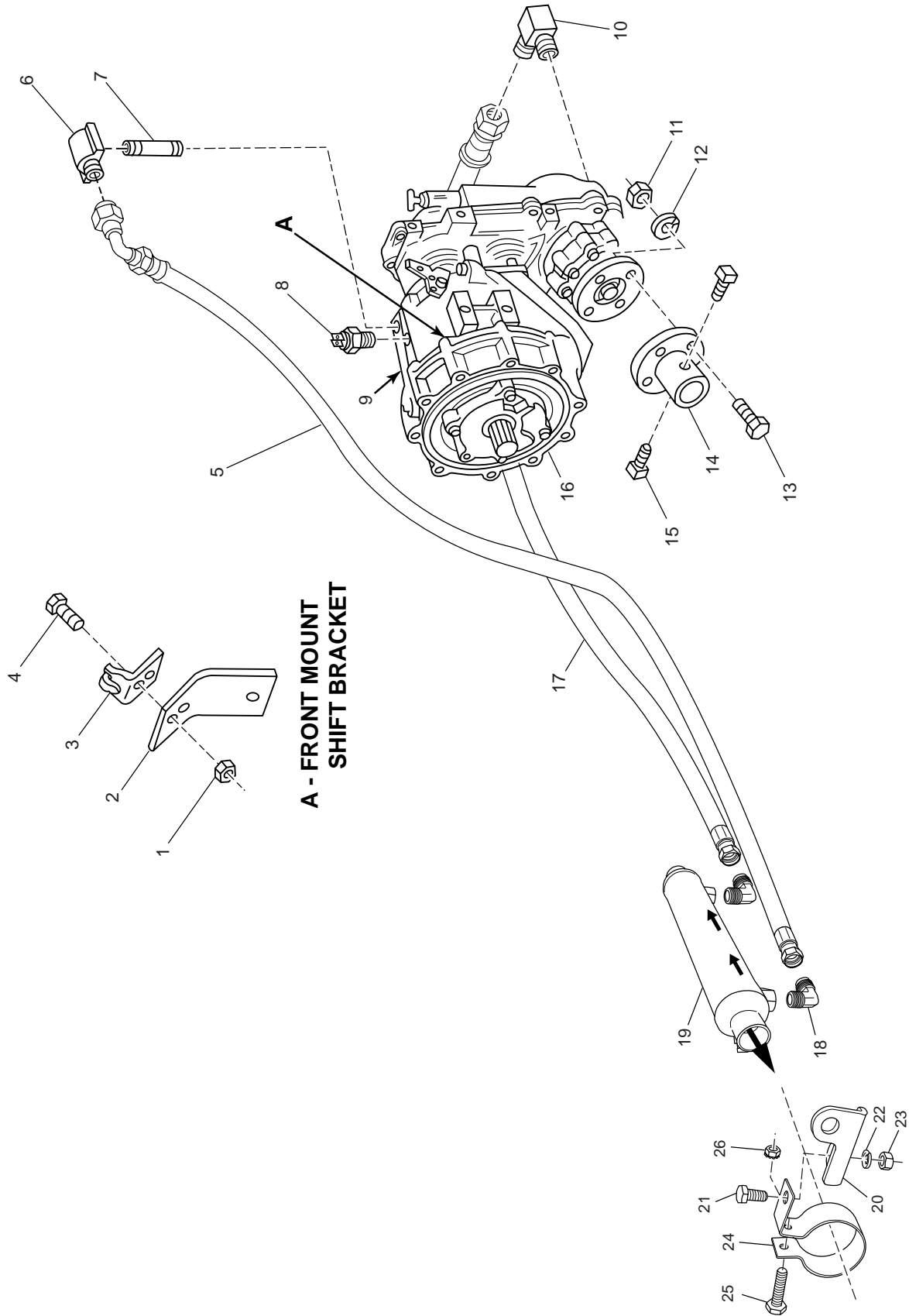


PC81019_06

TRANSMISSION AND RELATED COMPONENTS (VELVET DRIVE IN-LINE) - FIGURE 26

ITEM	PART NO.	QTY.	DESCRIPTION	QUANTITY
1	RS2055	2	Nut , attaching bolt	
2	96341	1	Shift Bracket (front mount)	
3	R090086	1	Cable Clip , single cable	
N.I.	22232	OPT	Cable Clip , dual cable clip (not shown)	
4	RS5122	2	Bolt , clip attaching (1/2")	
5	R024008	1	Elbow , hose - transmission (90 degree)	
6	RS4674	1	Nipple , pipe (3")	
7	2000090	2	Screw , set - coupler	
8	R148001	OPT	Coupler , prop shaft (1" shaft)	
8	R148002	OPT	Coupler , prop shaft (1 1/8" shaft)	
8	R148003	OPT	Coupler , prop shaft (1 1/4" shaft)	
8	R148004	OPT	Coupler , prop shaft (1 3/8" shaft)	
8	R148005	OPT	Coupler , prop shaft (1 1/2" shaft)	
8	R148007	OPT	Coupler , prop shaft (1 3/4" shaft)	
8	R148008	OPT	Coupler , prop shaft (2" shaft)	
9	22136	4	Bolt , coupling (1 1/2")	
10	RS2181	4	Lockwasher , coupling bolt	
11	RS1529	4	Nut , coupling bolt	
12	R020037	1	Sender , temperature alarm	
13	R153002	1	Switch Kit , neutral start (not shown)	
13A	25542	1	Switch & O-Ring Assembly (not shown)	
14	RA157003	1	Transmission (1:1 Direct Drive)	
14	RA157004	1	Transmission (1.52:1 Reduction)	
14	RA157004A	1	Transmission (1.88:1 Reduction)	
14	RA157004D	1	Transmission (2.57:1 Reduction)	
14	RA157004E	1	Transmission (2.91:1 Reduction)	
15	R024010	1	Elbow , hose - transmission (90 degree)	
16	RA045007P	1	Hose Assembly , transmission to cooler (45")	
17	RA045007T	1	Hose Assembly , transmission to cooler (46")	
18	R024010	2	Fitting , 90 degree	
19	R147006	1	Cooler Assembly , transmission oil	
20	R090013A	1	Bracket , oil cooler attaching	
21	RS0302	1	Bolt , oil cooler attaching	
22	RS2180	1	Lockwasher , oil cooler attaching	
23	RS2058	1	Nut , oil cooler attaching	
24	R090010	1	Clamp , oil cooler mounting	
25	RS0256	1	Bolt , oil cooler clamp	
26	RS1028	1	Nut , oil cooler clamp	

TRANSMISSION AND RELATED COMPONENTS (VELVET DRIVE "V"-DRIVE) - FIGURE 27

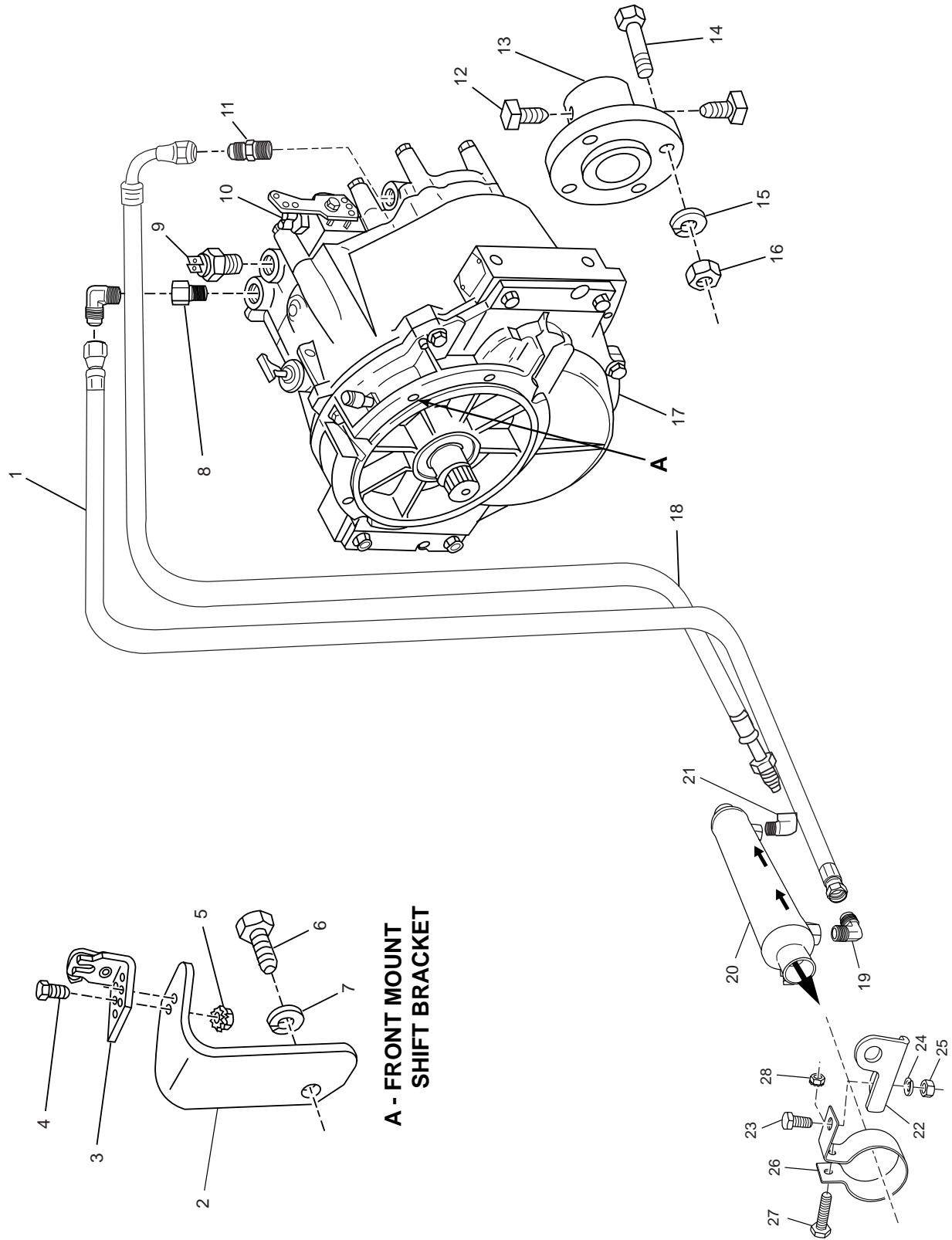


PC81020_06

TRANSMISSION AND RELATED COMPONENTS (VELVET DRIVE "V"-DRIVE) - FIGURE 27

ITEM	PART NO.	QTY.	DESCRIPTION	QUANTITY
1	RS2055	2	Nut , attaching bolt	
2	96341	1	Shift Bracket (front mount)	
3	R090086	1	Cable Clip , single cable	
3	22232	OPT	Cable Clip , dual cable clip (not shown)	
4	RS5122	2	Bolt , clip attaching (1/2")	
6	RA045007T	1	Hose Assembly , transmission to cooler (46")	
6	R024008	1	Elbow , hose - transmission (90 degree)	
7	RS4674	1	Nipple , pipe (3")	
8	R020037	1	Sender , temperature alarm	
9	R153002	1	Switch Kit , neutral start (not shown)	
N.I.	25542	1	Switch & O-Ring Assembly (not shown)	
10	R024010	1	Elbow , hose - transmission (90 degree)	
11	RS1529	4	Nut , coupling bolt	
12	RS2181	4	Lockwasher , coupling bolt	
13	22136	4	Bolt , coupling (1 1/2")	
14	R148001	OPT	Coupler , prop shaft (1" shaft)	
14	R148002	OPT	Coupler , prop shaft (1 1/8" shaft)	
14	R148003	OPT	Coupler , prop shaft (1 1/4" shaft)	
14	R148004	OPT	Coupler , prop shaft (1 3/8" shaft)	
14	R148005	OPT	Coupler , prop shaft (1 1/2" shaft)	
14	R148007	OPT	Coupler , prop shaft (1 3/4" shaft)	
14	R148008	OPT	Coupler , prop shaft (2" shaft)	
15	2000090	2	Screw , set - coupler	
16	RA156002B	1	Transmission (1.51:1 Reduction)	
16	RA156002D	1	Transmission (1.99:1 Reduction)	
16	RA156002E	1	Transmission (2.49:1 Reduction)	
17	RA045007P	1	Hose Assembly , transmission to cooler (60")	
18	R024010	2	Fitting , 90 degree	
19	R147006	1	Cooler Assembly , transmission oil	
20	R090013A	1	Bracket , oil cooler attaching	
21	RS0302	1	Bolt , oil cooler attaching	
22	RS2180	1	Lockwasher , oil cooler attaching	
23	RS2058	1	Nut , oil cooler attaching	
24	R090010	1	Clamp , oil cooler mounting	
25	RS0256	1	Bolt , oil cooler clamp	
26	RS1028	1	Nut , oil cooler clamp	

TRANSMISSION AND RELATED COMPONENTS (VELVET DRIVE 5000) - FIGURE 28

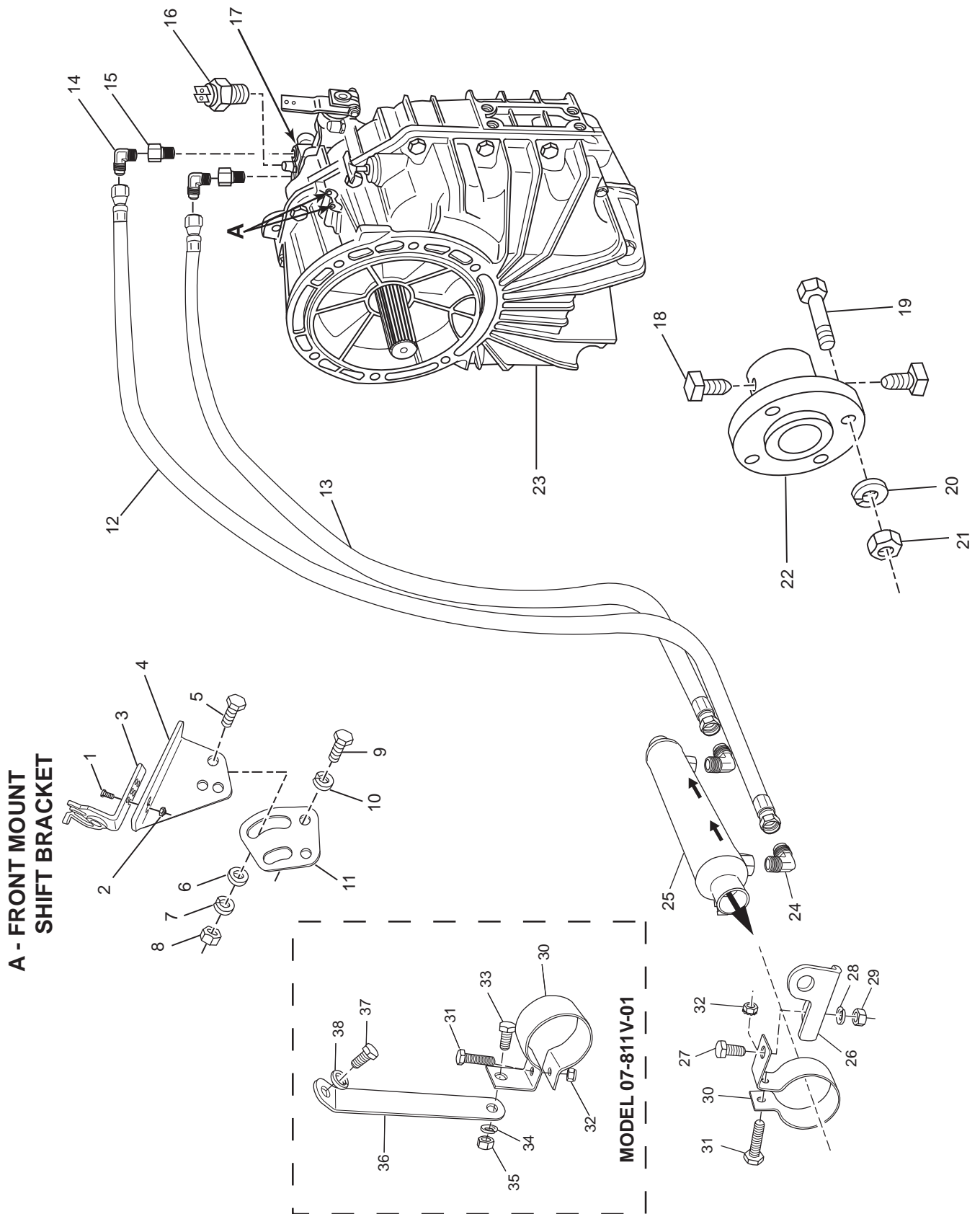


PC81021_06

TRANSMISSION AND RELATED COMPONENTS (VELVET DRIVE 5000) - FIGURE 28

ITEM	PART NO.	QTY.	DESCRIPTION	QUANTITY
1	RA045007T	1	Hose Assembly , transmission to cooler	
2	98227	1	Shift Bracket , (front entry)	
3	R090086	1	Cable Clip , single cable	
3	22232	OPT	Cable Clip , dual cable clip (not shown)	
4	RS5122	2	Bolt , clip attaching (1/2")	
5	RS2055	2	Nut , attaching bolt	
6	RS0329	2	Bolt , shift bracket attaching	
7	RS2180	2	Washer , shift bracket attaching bolt	
8	R024196	1	Fitting , adapter	
9	R020037	1	Sender , temperature alarm	
10	25542	1	Switch & O-Ring Assembly (not shown)	
11	30603	1	Fitting , adapter	
12	2000090	2	Screw , set - coupler	
13	R148001	OPT	Coupler , prop shaft (1" shaft)	
13	R148002	OPT	Coupler , prop shaft (1 1/8" shaft)	
13	R148003	OPT	Coupler , prop shaft (1 1/4" shaft)	
13	R148004	OPT	Coupler , prop shaft (1 3/8" shaft)	
13	R148005	OPT	Coupler , prop shaft (1 1/2" shaft)	
13	R148007	OPT	Coupler , prop shaft (1 3/4" shaft)	
13	R148008	OPT	Coupler , prop shaft (2" shaft)	
14	22136	4	Bolt , coupling (1 1/2")	
15	RS2181	4	Lockwasher , coupling bolt	
16	RS1529	4	Nut , coupling bolt	
17	RA157020B	1	Transmission (1.50:1 Reduction) Down Angle	
17	RA157020C	1	Transmission (2:1 Reduction) Down Angle	
17	RA157020D	1	Transmission (2.45:1 Reduction) Down Angle	
17	RA157020E	1	Transmission (2.80:1 Reduction) Down Angle	
17	RA156008	1	Transmission (1.25:1 Reduction) V-Drive	
17	RA156008A	1	Transmission (1.50:1 Reduction) V-Drive	
17	RA156008B	1	Transmission (2:1 Reduction) V-Drive	
17	RA156008C	1	Transmission (2.50:1 Reduction) V-Drive	
18	18203	1	Hose Assembly , cooler to transmission	
19	R024010	2	Fitting , 90 degree	
20	R147006	1	Cooler Assembly , transmission oil	
21	137425	1	Fitting , 90 degree	
22	R090013A	1	Bracket , oil cooler attaching	
23	RS0302	1	Bolt , oil cooler attaching	
24	RS2180	1	Lockwasher , oil cooler attaching	
25	RS2058	1	Nut , oil cooler attaching	
26	R090010	1	Clamp , oil cooler mounting	
27	RS0256	1	Bolt , oil cooler clamp	
28	RS1028	1	Nut , oil cooler clamp	

TRANSMISSION AND RELATED COMPONENTS (HURTH GEAR) - FIGURE 29



PC81022_06

TRANSMISSION AND RELATED COMPONENTS (HURTH GEAR) - FIGURE 29

ITEM	PART NO.	QTY.	DESCRIPTION	QUANTITY
1	RS5122	2	Bolt , cable clip attaching	
2	RS2055	2	Nut , cable clip attaching bolt	
3	R090086	1	Cable Clip , single cable	
3	22232	OPT	Cable Clip , dual cable clip (not shown)	
4	R090202	1	Shift Bracket , cable clip attaching	
5	RS0282	2	Bolt , shift bracket attaching	
6	RS2674	2	Washer , shift bracket attaching bolt	
7	RS2179	2	Lockwasher , attaching bolt	
8	RS1027	2	Nut , shift bracket attaching bolt	
9	RS6531	2	Bolt , shift bracket attaching	
10	93930000	2	Lockwasher , shift bracket attaching bolt	
11	R090235	1	Bracket , shift	
12	RA045007H	1	Hose Assembly , transmission to cooler	
13	RA045007N	1	Hose Assembly , cooler to transmission	
14	R024010	2	Fitting , 90 degree	
15	R024196	2	Fitting , adapter	
16	R020037	1	Sender , temperature alarm	
17	25542	1	Switch & O-Ring Assembly (not shown)	
18	2000090	2	Screw , set - coupler	
19	90418138	4	Bolt , coupling (1 3/8")	
20	RS2181	4	Lockwasher , coupling bolt	
21	RS1529	4	Nut , coupling bolt	
22	R148001	OPT	Coupler , prop shaft (1" shaft)	
22	R148002	OPT	Coupler , prop shaft (1 1/8" shaft)	
22	R148003	OPT	Coupler , prop shaft (1 1/4" shaft)	
22	R148004	OPT	Coupler , prop shaft (1 3/8" shaft)	
22	R148005	OPT	Coupler , prop shaft (1 1/2" shaft)	
22	R148007	OPT	Coupler , prop shaft (1 3/4" shaft)	
22	R148008	OPT	Coupler , prop shaft (2" shaft)	
23	RA157022	1	Transmission 630A (1.22:1 Reduction)	8° Down Angle
23	RA157022A	1	Transmission 630A (1.55:1 Reduction)	
23	RA157022B	1	Transmission 630A (2.00:1 Reduction)	
23	RA157022C	1	Transmission 630A (2.50:1 Reduction)	
23	RA157022D	1	Transmission 630A (2.70:1 Reduction)	
23	RA157023F	1	Transmission 800A (2.85:1 Reduction)	V-Drive
23	RA156009	1	Transmission 630V (1.29:1 Reduction)	
23	RA156009A	1	Transmission 630V (1.50:1 Reduction)	
23	RA156009B	1	Transmission 630V (2.00:1 Reduction)	
23	RA156009C	1	Transmission 630V (2.50:1 Reduction)	
24	R024010	2	Fitting , 90 degree	
25	R147006	1	Cooler Assembly , transmission oil	
26	R090013A	1	Bracket , oil cooler attaching	
27	RS0302	1	Bolt , oil cooler attaching	
28	RS2180	1	Lockwasher , oil cooler attaching	
29	RS2058	1	Nut , oil cooler attaching	
30	R090010	1	Clamp , oil cooler mounting	
31	RS0256	1	Bolt , oil cooler clamp	
32	RS1028	1	Nut , oil cooler clamp	
33	90318275	1	Bolt , oil cooler clamp to bracket attaching	07-811V-01
34	9330000	1	Lockwasher , oil cooler clamp to bracket attaching	07-811V-01
35	95310300	1	Nut , oil cooler clamp to bracket attaching	07-811V-01
36	R090233A	1	Bracket , oil cooler attaching	07-811V-01
37	98443025	1	Bolt , bracket attaching	07-811V-01
38	93940000	1	Lockwasher , bracket attaching	07-811V-01
NI	RP077011	AR	Kit , transmission oil filter (ZF)	

ITEM	PART NUMBER	DESCRIPTION	QUANTITY
*	RK173087-07	Kit, On-Board Parts 8.1L, FCC Fuel System	
	22433	Box, On-Board	1
	R066024A	Belt, Serpentine	1
	R153017C	Fuse, 5 Amp	2
	R153017A	Fuse, 15 Amp	2
	R153017B	Fuse, 20 Amp	2
	R153019C	Fuse, 20 Amp, MAXI	1
	R153019F	Fuse, 40 Amp, MAXI	1
	R130015	Relay, 12V, Fuel Pump, Ignition	1
	R130016	Relay, 12V, Start	1
	RP030009	Spark Plug, Set, (Platinum)	1
	RP061022	Impeller, Raw Water Pump	1
	R080033	Primary Fuel Filter Element	1
	RP080026	Filter and O-Ring, Kit, FCC	1

This Page Was
Intentially
Left Blank